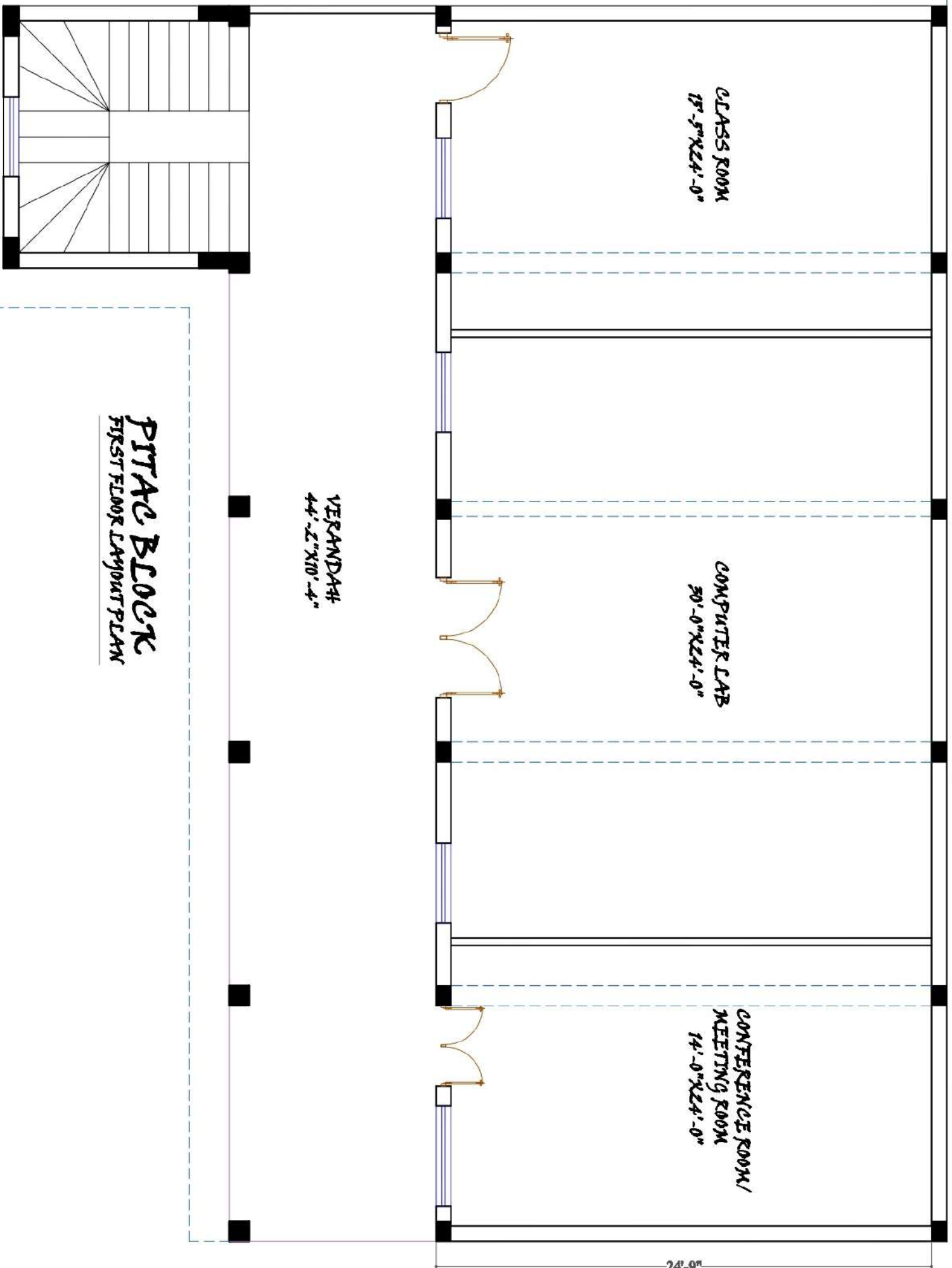


**PITAC BLOCK**  
GROUND FLOOR LAYOUT PLAN



CLASS ROOM  
15'-5" X 24'-0"

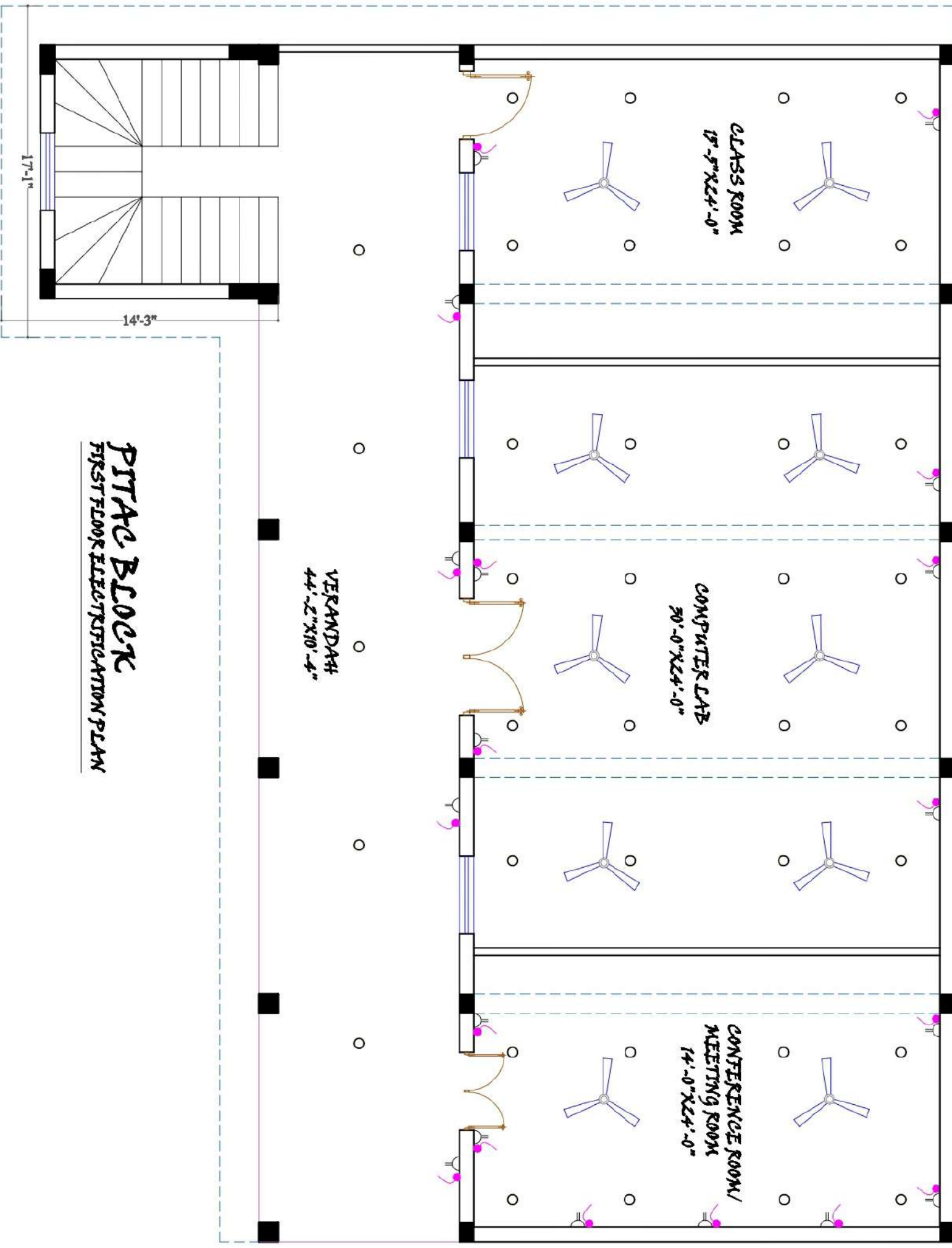
COMPUTER LAB  
30'-0" X 24'-0"

CONFERENCE ROOM/  
MEETING ROOM  
14'-0" X 24'-0"

VERANDA#  
44'-2" X 10'-4"

**PITAC BLOCK**  
FIRST FLOOR LAYOUT PLAN

24'-9"



**CLASS ROOM**  
17'-5" X 24'-0"

**COMPUTER LAB**  
30'-0" X 24'-0"

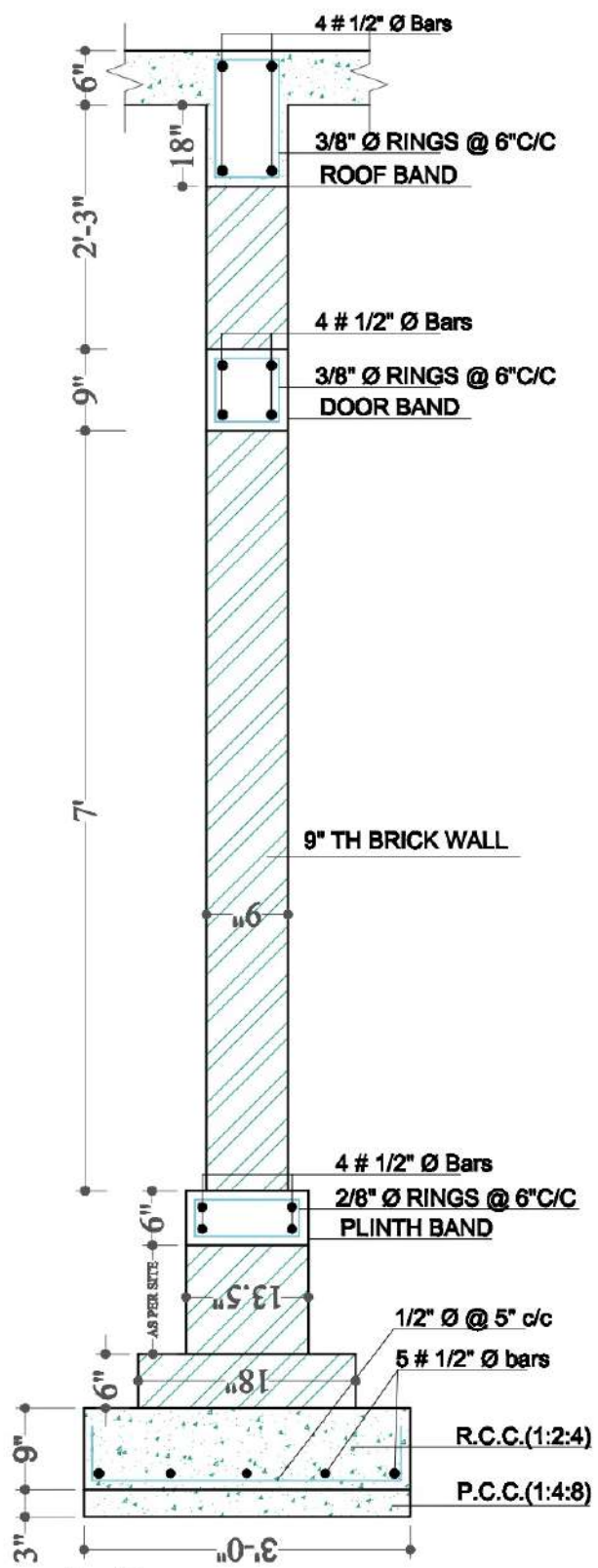
**CONFERENCE ROOM/  
MEETING ROOM**  
14'-0" X 24'-0"

**VERANDAH**  
44'-2" X 10'-4"

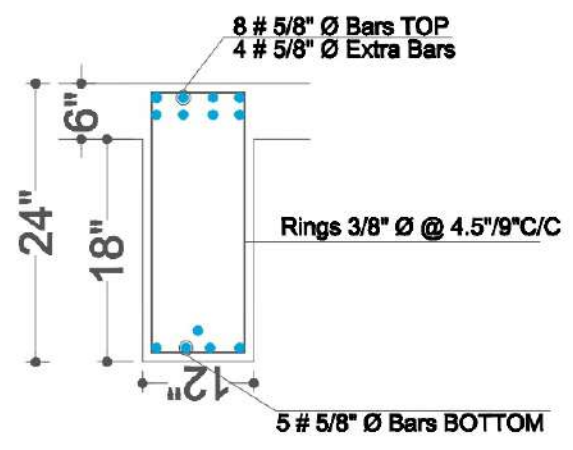
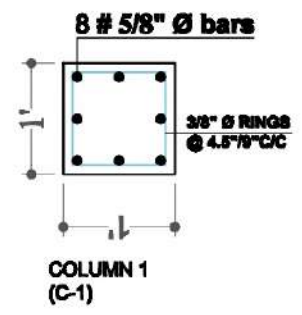
**PITAG BLOCK**  
FIRST FLOOR ELECTRIFICATION PLAN

17'-1"

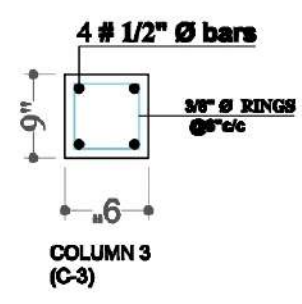
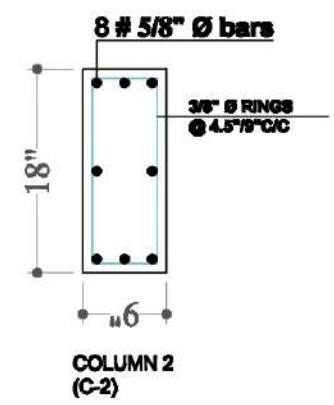
14'-3"



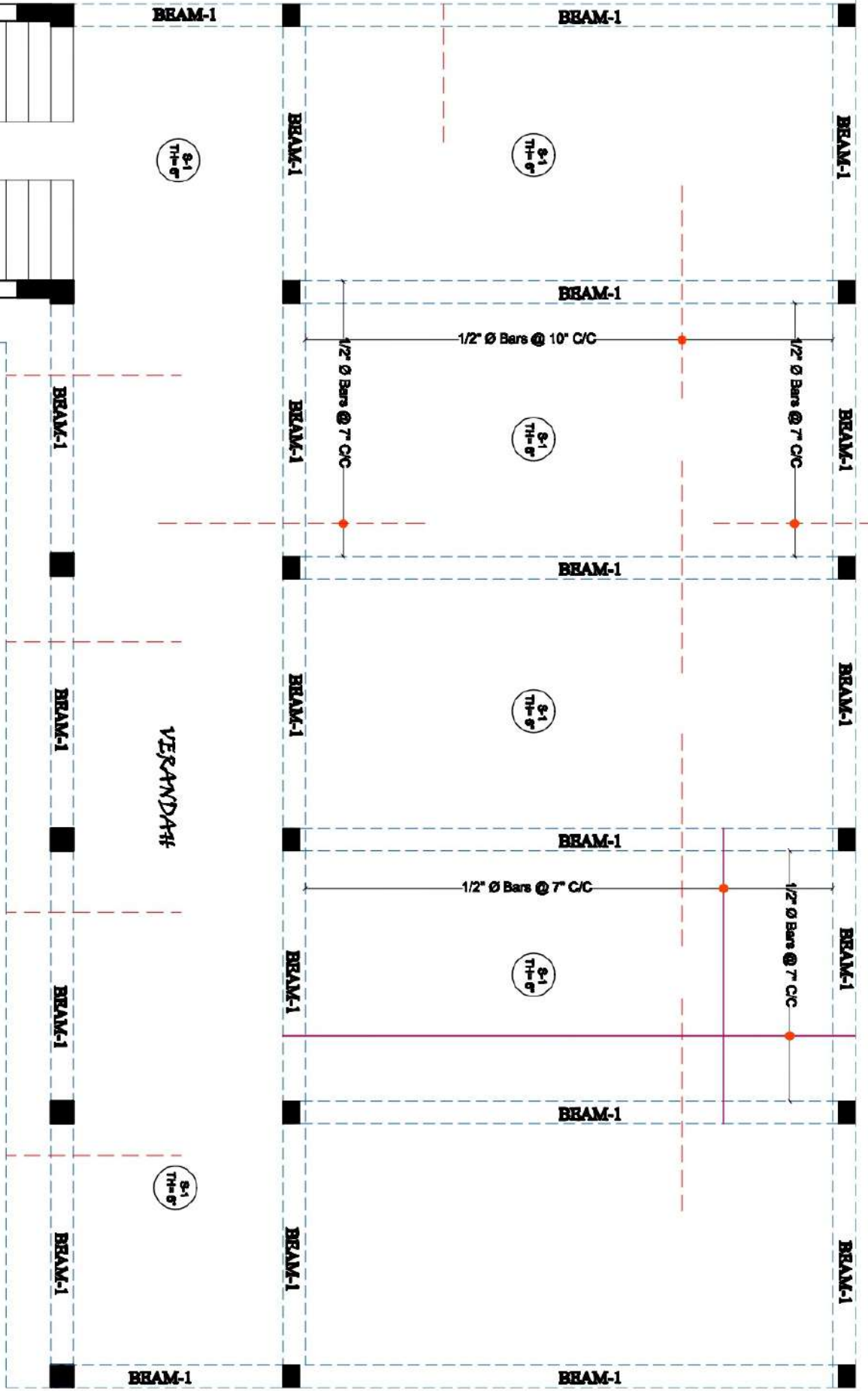
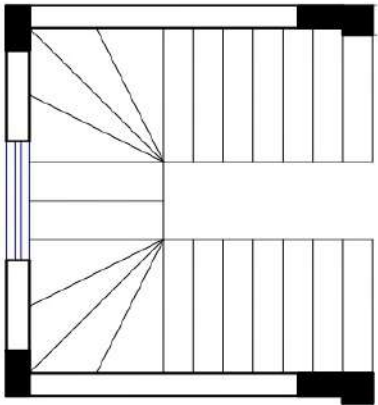
**A-A'**  
**FOOTING DETAIL STAIR CASE**

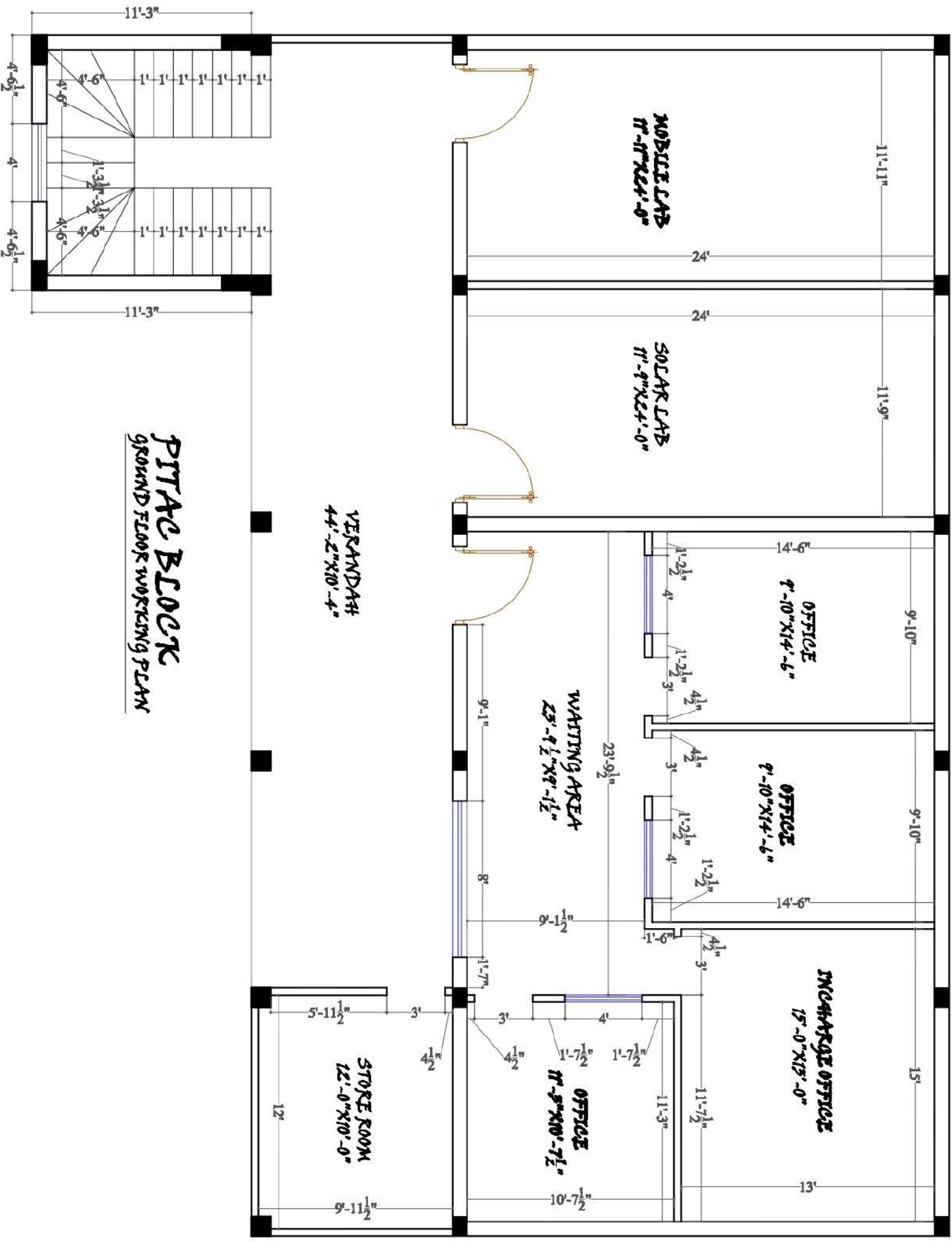


**BEAM-1**



# ROOF STRUCTURE PLAN





**PITAC BLOCK**  
**GROUND FLOOR WORKING PLAN**

11'-11"

11'-9"

9'-10"

9'-10"

15'

**MOBILE LAB**  
 11'-11" X 24'-0"

**SOLAR LAB**  
 11'-9" X 24'-0"

**OFFICE**  
 9'-10" X 14'-6"

**OFFICE**  
 9'-10" X 14'-6"

**INCUBATOR OFFICE**  
 15'-0" X 13'-0"

**WAITING AREA**  
 23'-9 1/2" X 9'-1 1/2"

**OFFICE**  
 11'-9" X 10'-7 1/2"

**VERANDA#1**  
 44'-2" X 10'-4"

**STORE ROOM**  
 12'-0" X 10'-0"

11'-3"

11'-3"

4'-6 1/2"

4'

4'-6 1/2"

5'-11 1/2"

12'

9'-11 1/2"

24'

24'

14'-6"

14'-6"

23'-9 1/2"

9'-1 1/2"

9'-1"

8'

1'-7"

4 1/2"

4 1/2"

1'-7 1/2"

1'-7 1/2"

11'-3"

11'-7 1/2"

13'

1'-2 1/2"

1'-2 1/2"

1'-2 1/2"

1'-2 1/2"

1'-2 1/2"

4 1/2"

4'

4'

4'

4'

3'

3'

3'

3'

4'-6"

4'-6"

4'-6"

4'-6"

4'-6"

4'-6"

4'-6"

4'-6"

4'-6"

4'-6"

4'-6"

4'-6"

4'-6"

4'-6"

4'-6"

1'-3 1/2"

1'-3 1/2"

1'-3 1/2"

1'-3 1/2"

1'-3 1/2"

1'-3 1/2"

1'-3 1/2"

1'-3 1/2"

1'-3 1/2"

1'-3 1/2"

1'-3 1/2"

1'-3 1/2"

1'-3 1/2"

1'-3 1/2"

1'-3 1/2"

1'-1"

1'-1"

1'-1"

1'-1"

1'-1"

1'-1"

1'-1"

1'-1"

1'-1"

1'-1"

1'-1"

1'-1"

1'-1"

1'-1"

1'-1"

1'-1"

1'-1"

1'-1"

1'-1"

1'-1"

1'-1"

1'-1"

1'-1"

1'-1"

1'-1"

1'-1"

1'-1"

1'-1"

1'-1"

1'-1"

1'-1"

1'-1"

1'-1"

1'-1"

1'-1"

1'-1"

1'-1"

1'-1"

1'-1"

1'-1"

1'-1"

1'-1"

1'-1"

1'-1"

1'-1"

1'-1"

1'-1"

1'-1"

1'-1"

1'-1"

1'-1"

1'-1"

1'-1"

1'-1"

1'-1"

1'-1"

1'-1"

1'-1"

1'-1"

1'-1"

1'-1"

1'-1"

1'-1"

1'-1"

1'-1"

1'-1"

1'-1"

1'-1"

1'-1"

1'-1"

1'-1"

1'-1"

1'-1"

1'-1"

1'-1"

1'-1"

1'-1"

1'-1"

1'-1"

1'-1"

1'-1"

1'-1"

1'-1"

1'-1"

1'-1"

1'-1"

1'-1"

1'-1"

1'-1"

1'-1"

1'-1"

1'-1"

1'-1"

1'-1"

1'-1"

1'-1"

1'-1"

1'-1"

1'-1"

1'-1"

1'-1"

1'-1"

1'-1"

1'-1"

1'-1"

1'-1"

1'-1"

1'-1"

1'-1"

1'-1"

1'-1"

1'-1"

1'-1"

1'-1"

1'-1"

1'-1"

1'-1"

1'-1"

1'-1"

1'-1"

1'-1"

1'-1"

1'-1"

1'-1"

1'-1"

1'-1"

1'-1"

1'-1"

1'-1"

1'-1"

1'-1"

1'-1"

1'-1"

1'-1"

1'-1"

1'-1"

1'-1"

1'-1"

1'-1"

1'-1"

1'-1"

1'-1"

1'-1"

1'-1"

1'-1"

1'-1"

1'-1"

1'-1"

1'-1"

1'-1"

1'-1"

1'-1"

1'-1"

1'-1"

1'-1"

1'-1"

1'-1"

1'-1"

1'-1"

1'-1"

1'-1"

1'-1"

1'-1"

1'-1"

1'-1"

1'-1"

1'-1"

1'-1"

1'-1"

1'-1"

1'-1"

1'-1"

1'-1"

1'-1"

1'-1"

1'-1"

1'-1"

1'-1"

1'-1"

1'-1"

1'-1"

1'-1"

1'-1"

1'-1"

1'-1"

1'-1"

1'-1"

1'-1"

1'-1"

1'-1"

1'-1"

1'-1"

1'-1"

1'-1"

1'-1"

1'-1"

1'-1"

1'-1"

1'-1"

1'-1"

1'-1"

1'-1"

1'-1"

1'-1"

1'-1"

1'-1"

1'-1"

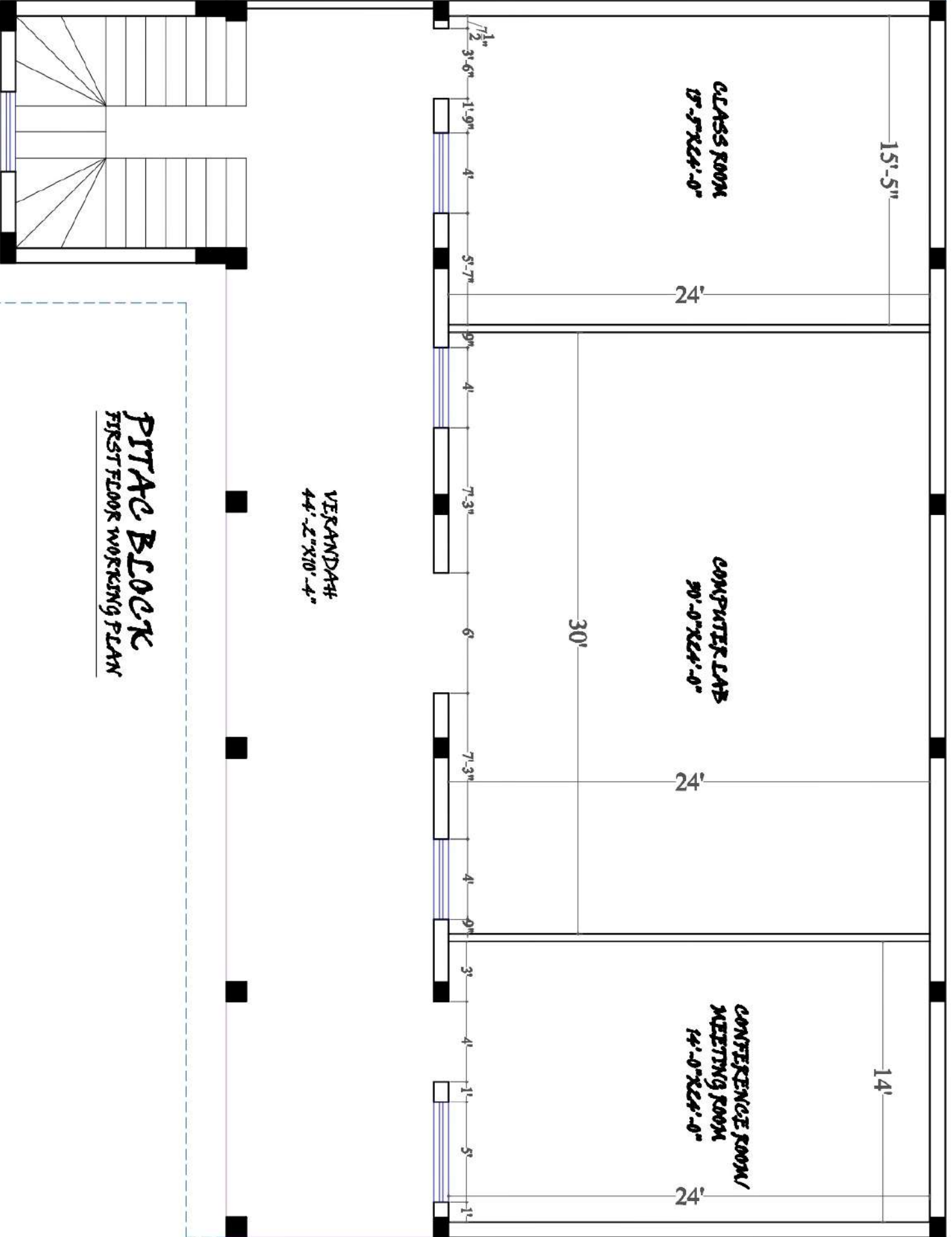
1'-1"

1'-1"

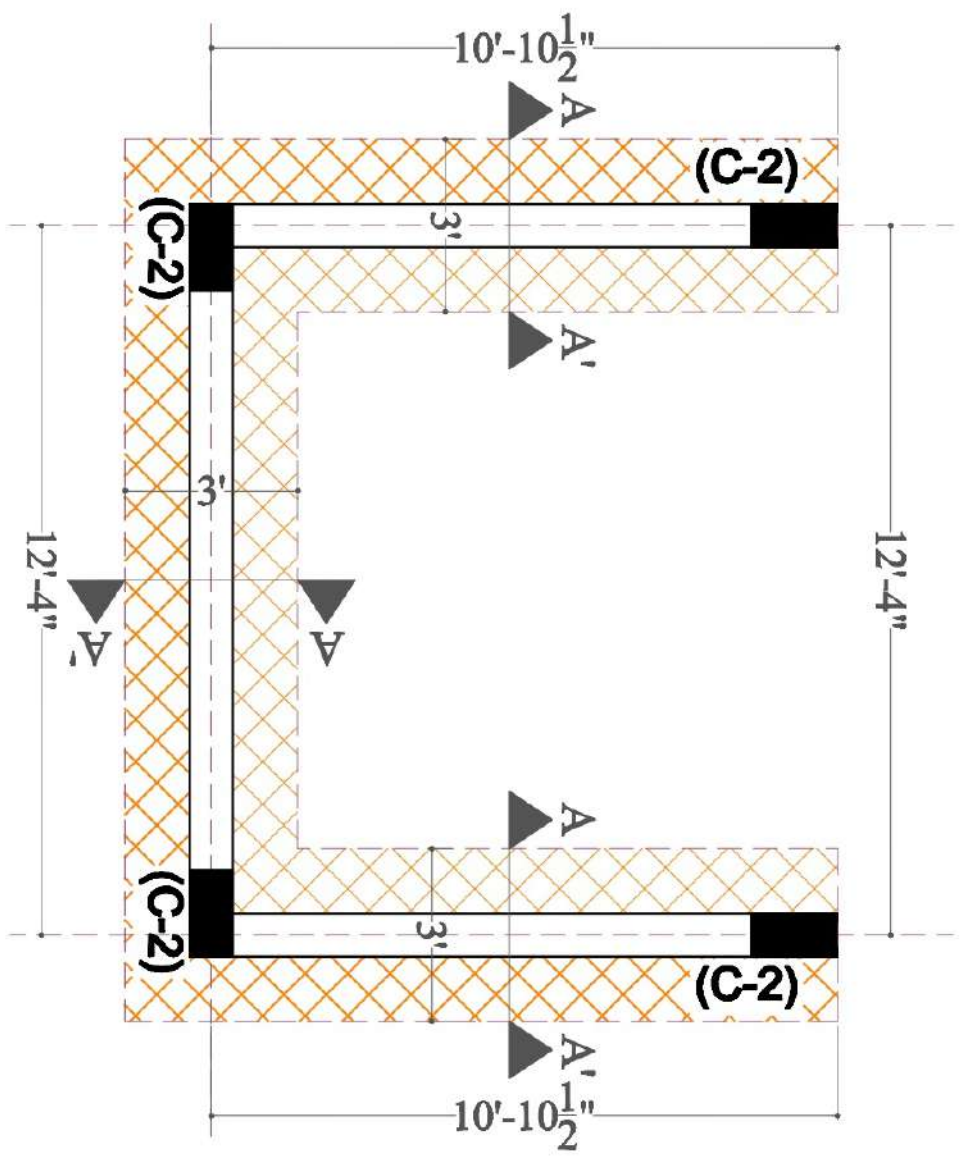
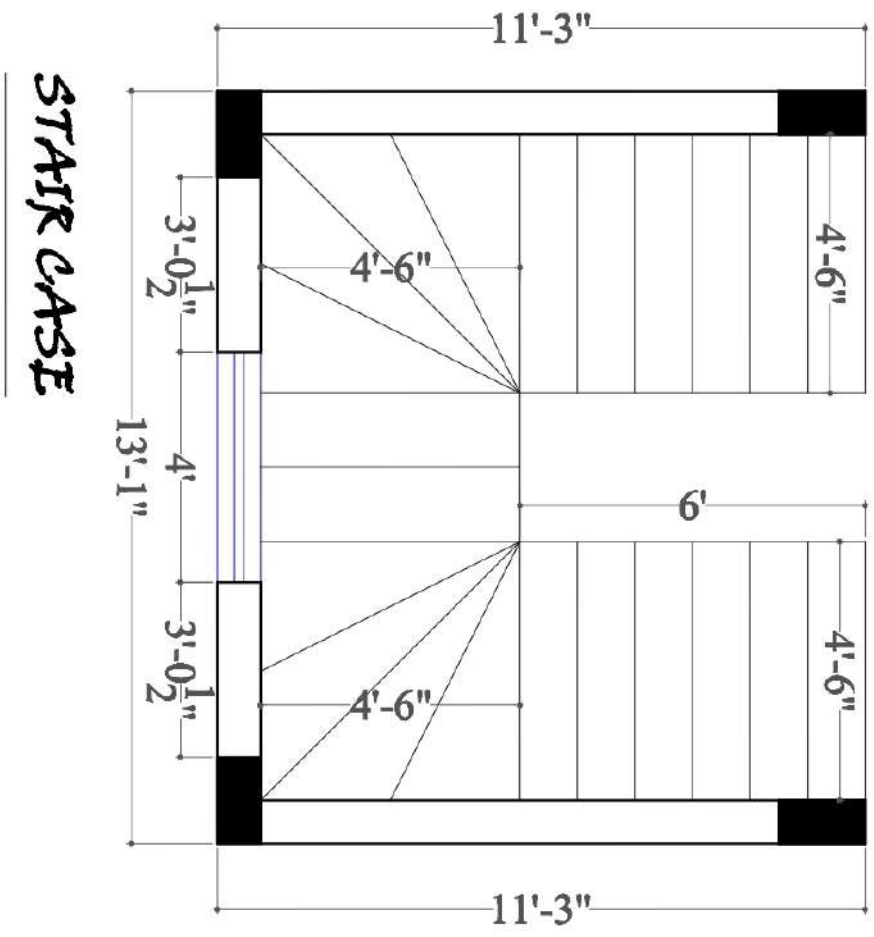
1'-1"

1'-1"

1'-1

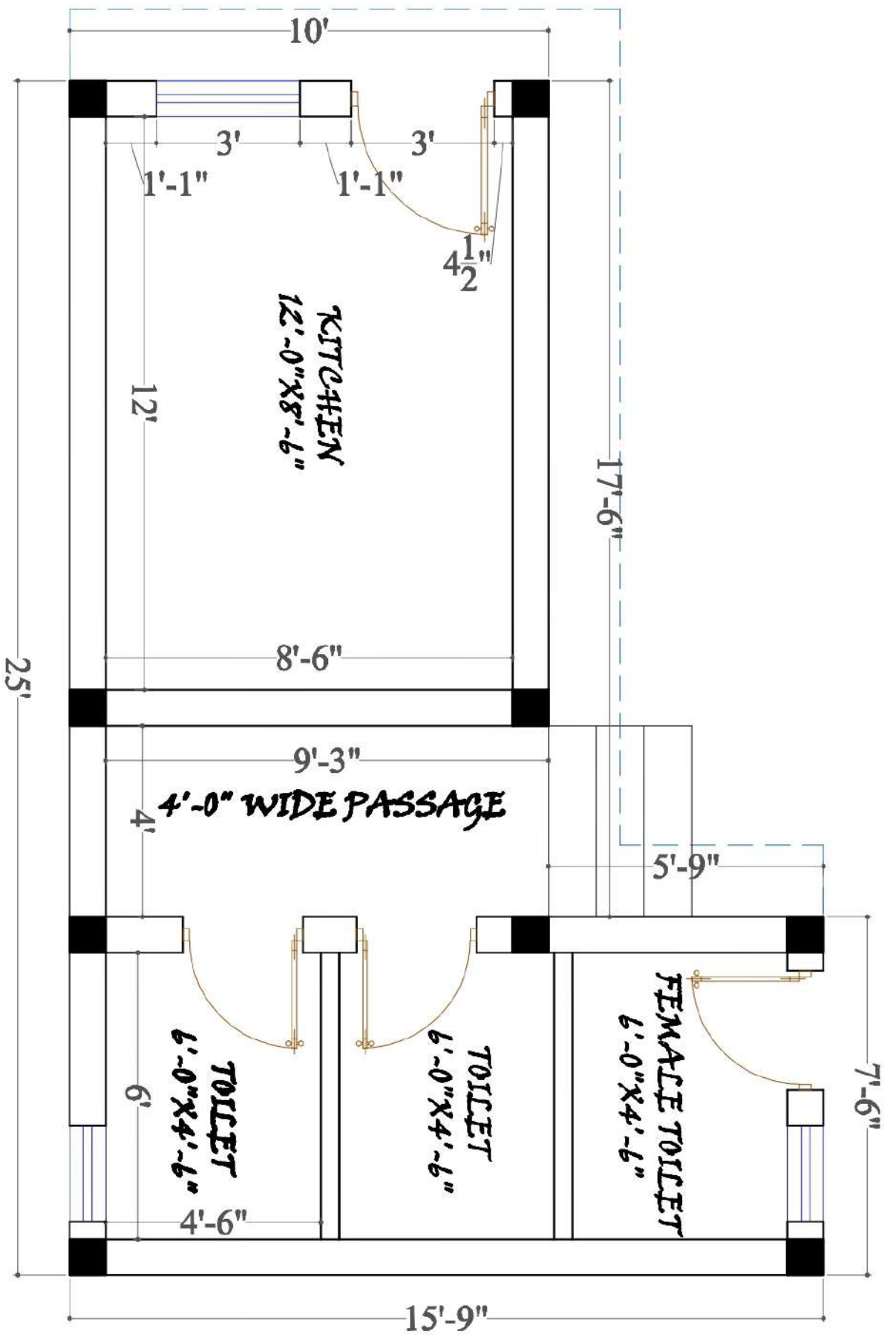


**PITAC BLOCK**  
FIRST FLOOR WORKING PLAN

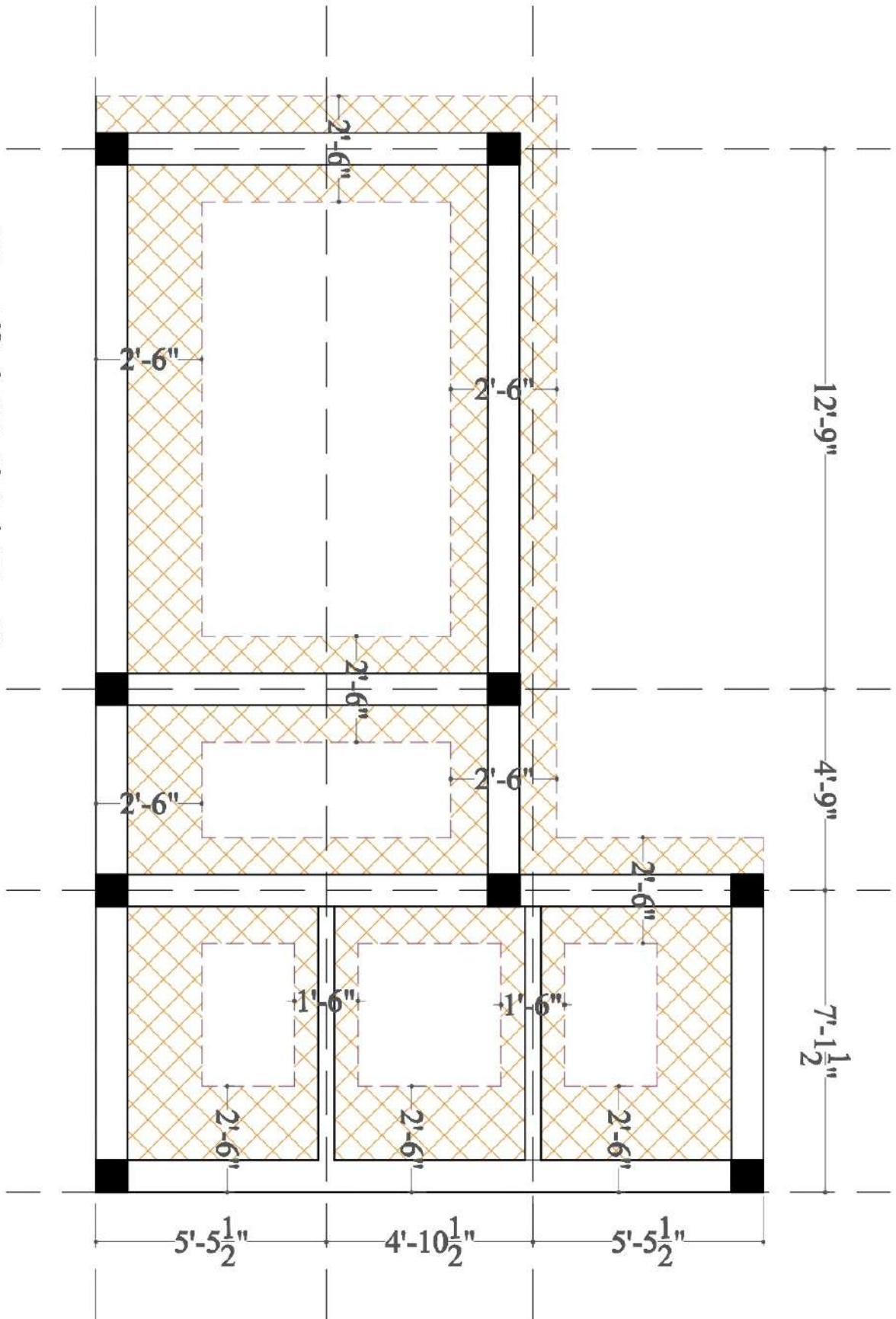




# TOILETS & KITCHEN WORKING PLAN



**FOUNDATION LAYOUT**



# FOUNDATION LAYOUT

