



Annex - B

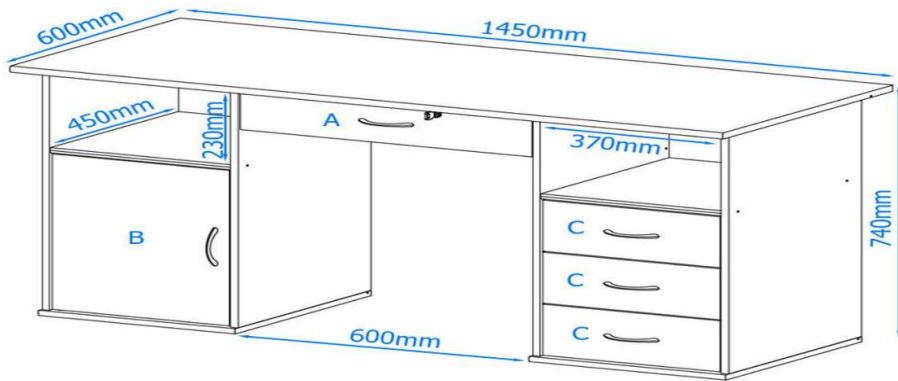
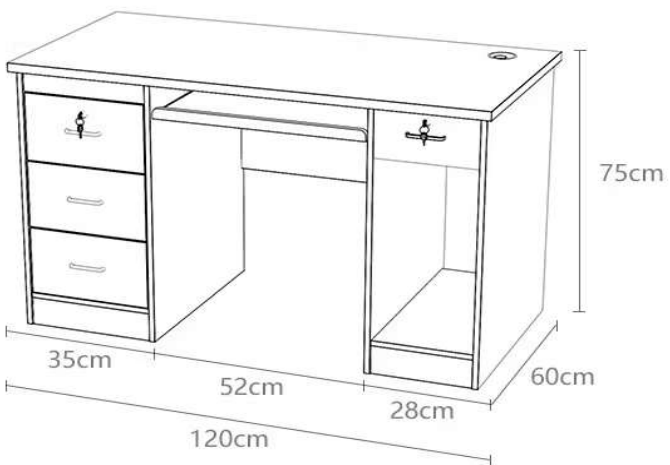
Tender # PAKIS/RFQ/24/037
Technical Specifications

Item Description	Quantity	Delivery Location
FURNITURE		
5-Seater Bench Frame made of Steel pipes. Plastic chairs pre-installed on the steel frame	20 x Benches	5 – Lahore 7 – Mianwali 8 - Haripur
		
Plastic chairs Made from 100% pure Virgin plastic. (Re-cycled material will not be accepted)	36 x Pcs	36 - Haripur
 <small>Article: 1126 - Brown</small>		
Computer Revolving Chair, Low Back	45 x Pcs	10-Lahore 10-Mianwali 10-Karachi 5-Islamabad 10-Haripur

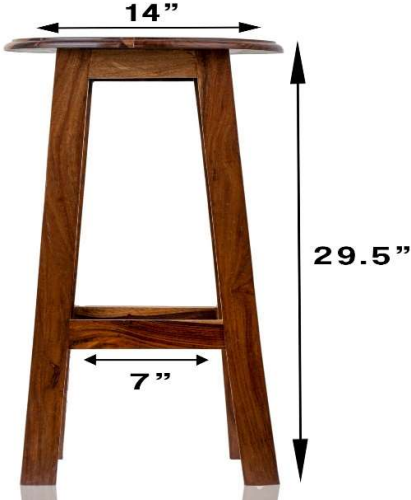
Annex - B

 <p style="text-align: center;">OVERALL DIMENSIONS</p>		
Revolving Chair, High Back	15 x Pcs	4-Lahore 4-Mianwali 4-Karachi 3-Haripur
		
Office Table, Steel base, laminated top 3-Drawers on the right and 1-Cabinet on the left side	15 x Pcs	15-Quetta

Annex - B

 <p>Internal Dimensions A - H120 x W580 x D370 mm B - H445 x W370 x D430 mm C - H70 x W310 x D370 mm</p>		
<p>Computer Table – Small Size</p>	<p>15 x Pcs</p>	<p>4-Lahore 4-Mianwali 4-Karachi 3-Haripur</p>
<p>【GOODS SIZE】</p> 		
<p>Wooden Stool, Small</p>	<p>25 x Pcs</p>	<p>5 Lahore 5 Mianwali 5 Islamabad 5 Karachi 5 Haripur</p>

Annex - B

		
ELECTRICAL APPLIANCES / ITEMS		
Electric Water Dispenser with Mini Refrigerator Cabinet Cool and Hot, 2-Taps	3 x Pcs	1-Lahore 1-Mianwali 1-Karachi
Electric Water Cooler with Filter 45 Liter Capacity, Steel Body, with warranty of 1 x Year	1 x Pcs	1-Haripur
Microwave Oven, 20 Liter Capacity	5 x Pcs	1-Lahore 1-Islamabad 1-Mianwali 1-Karachi 1-Haripur
Electric Kettle, 2.0 Liter Capacity	5 x Pcs	1-Lahore 1-Islamabad 1-Mianwali 1-Karachi 1-Haripur
Lead Acid UPS Battery, 12 V, 105AH, 19-Plates <u>With 1 x Year Warranty</u>	2 x Pcs	2-Haripur

Please submit technical specifications/ brochures / Pictures of the proposed items (as per the above requirements) as part of your technical offer.