

Project Name

Construction of Four Class Rooms at Mamzawa Primary School in Erbil

Project Place

Erbil Governorate

Legend

Sheet Title

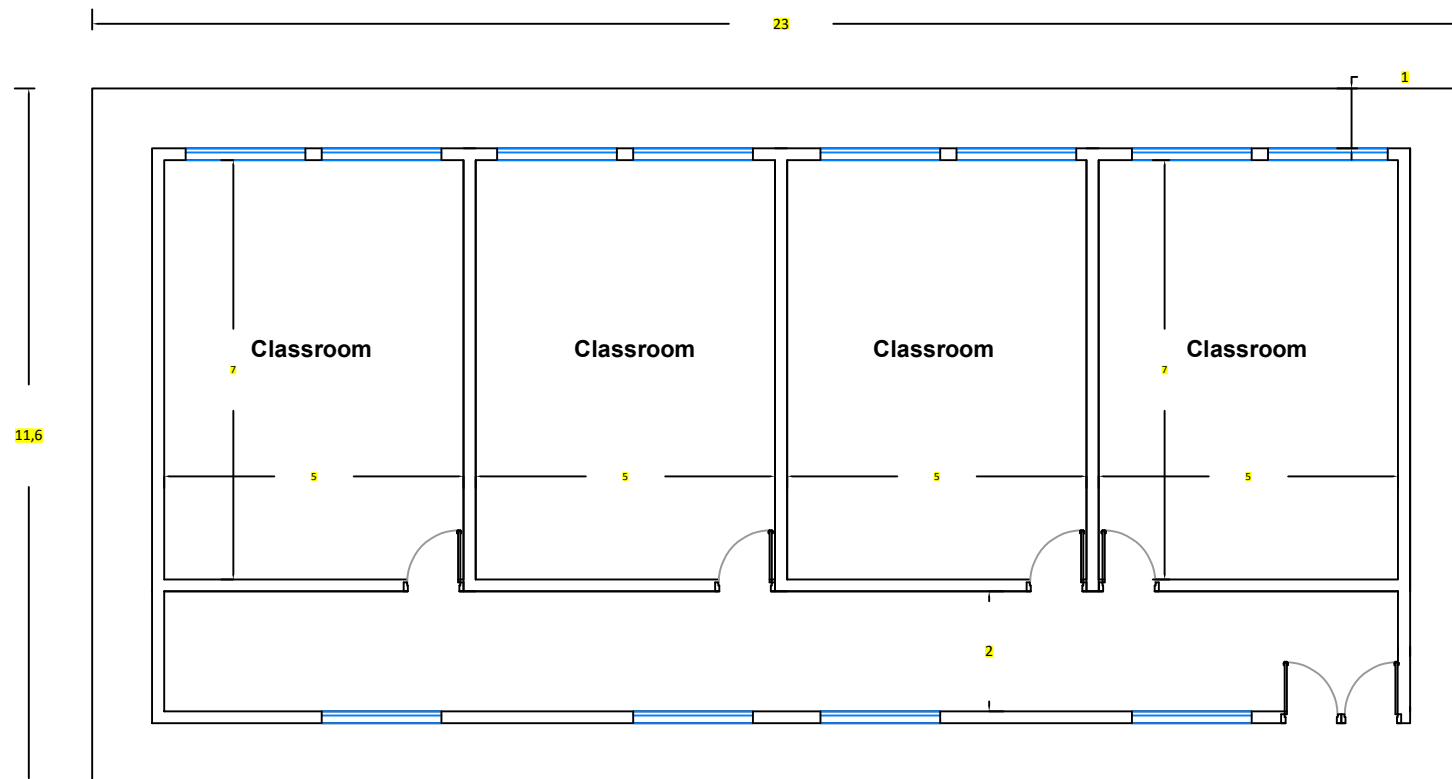
General Plan

Sheet No.

1

Designed By

UNHCR Technical Unit



Project Name

Construction of Four Class Rooms at Mamzawa Primary School in Erbil

Project Place

Erbil Governorate

Legend

Sheet Title

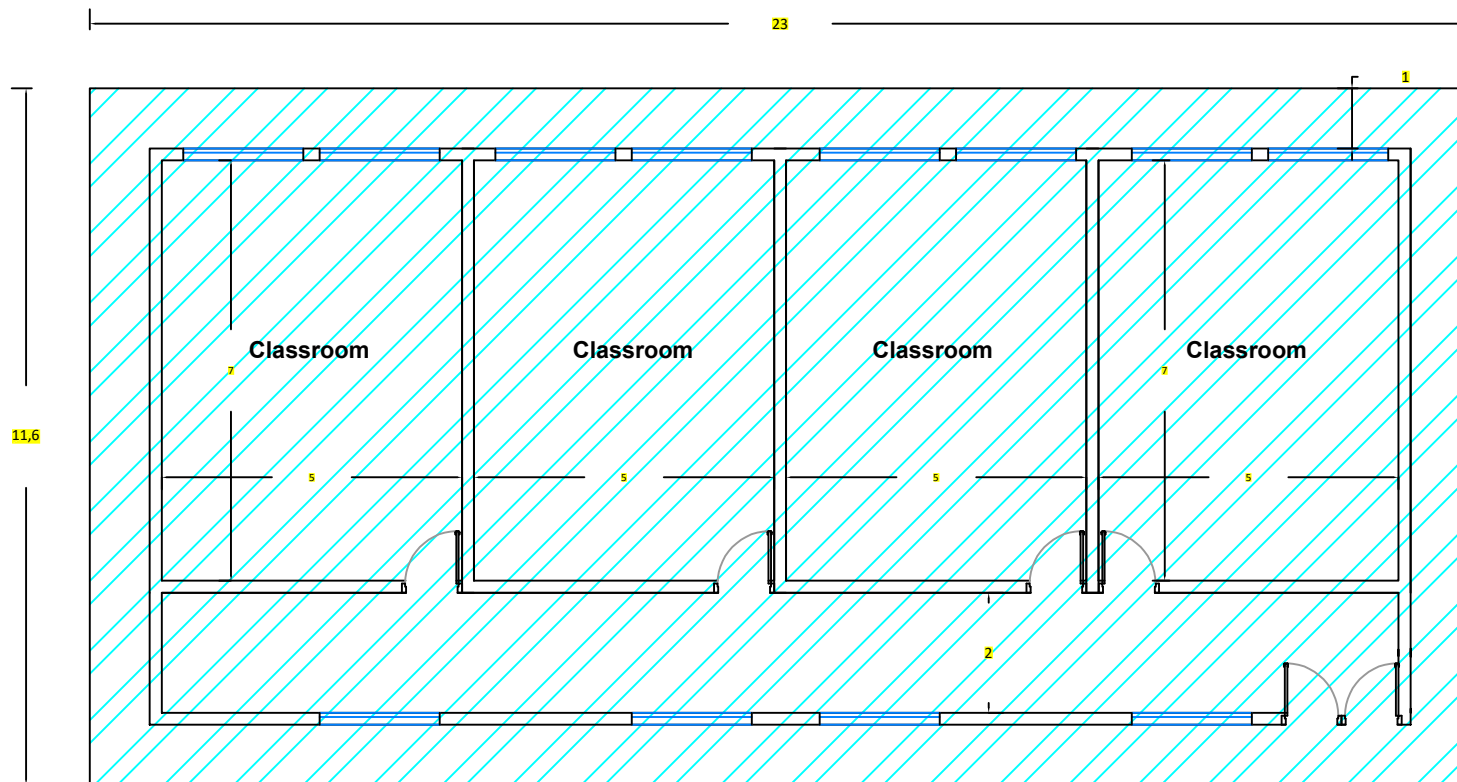
Raft Foundation Plan

Sheet No.

2

Designed By

UNHCR Technical Unit



Project Name

Construction of Four Class Rooms at Mamzawa Primary School in Erbil

Project Place

Erbil Governorate

Legend

Sheet Title

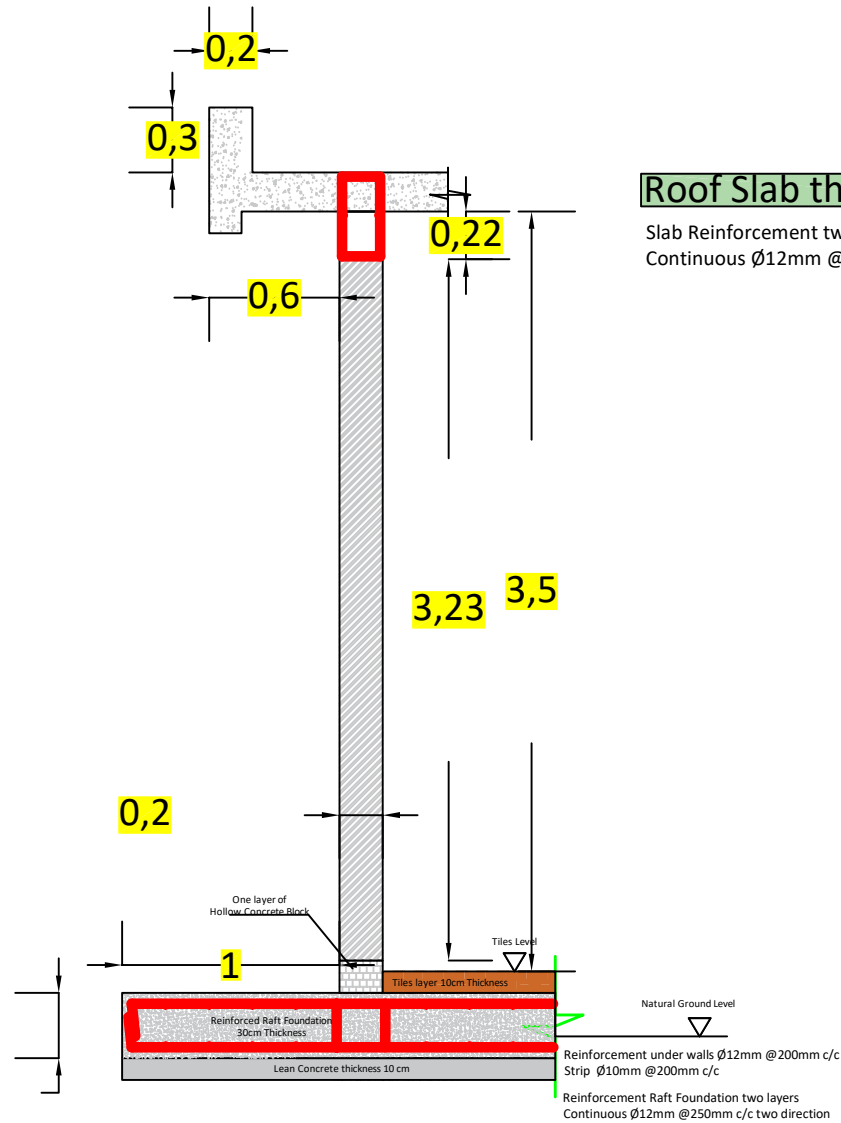
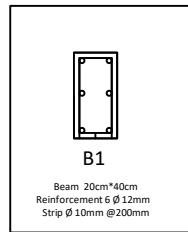
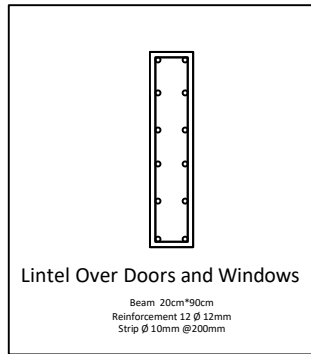
- Wall Section
- Raft Foundation Reinforcement
- Slab Reinforcement
- Beams Detail

Sheet No.

3

Designed By

UNHCR Technical Unit



0,3

Project Name

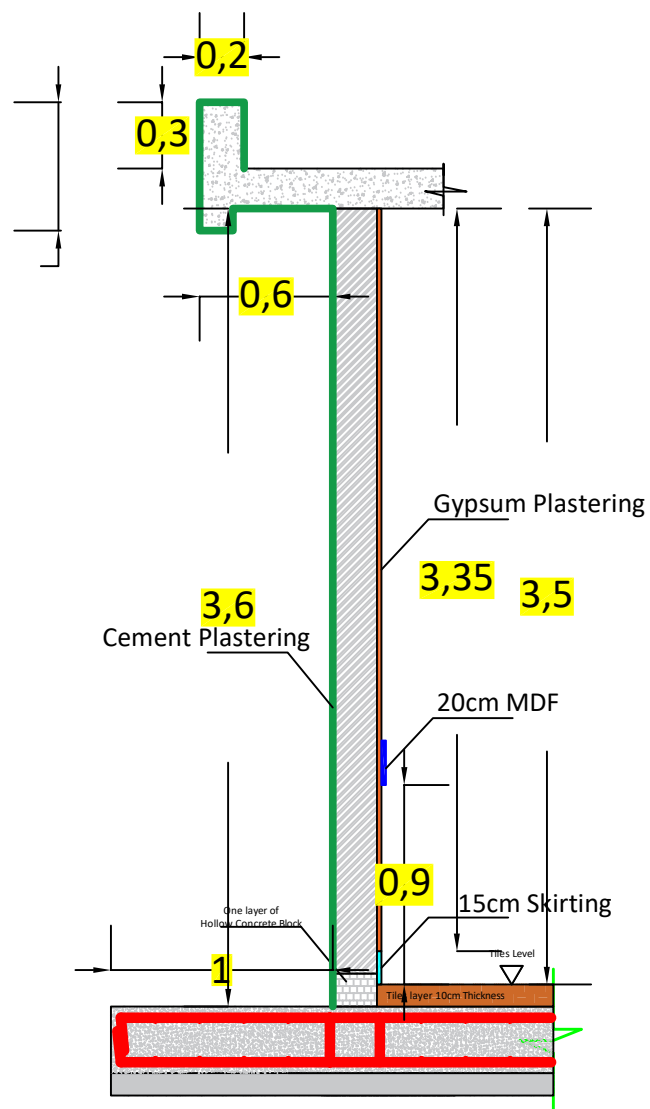
Construction of Four Class Rooms at Mamzawa Primary School in Erbil

Project Place

Erbil Governorate

Legend

0,58



Sheet Title

Finishing Details

Sheet No.

4

Designed By

UNHCR Technical Unit

Project Name

Construction of Four Class Rooms at Mamzawa Primary School in Erbil

Project Place

Erbil Governorate

Legend

Sheet Title

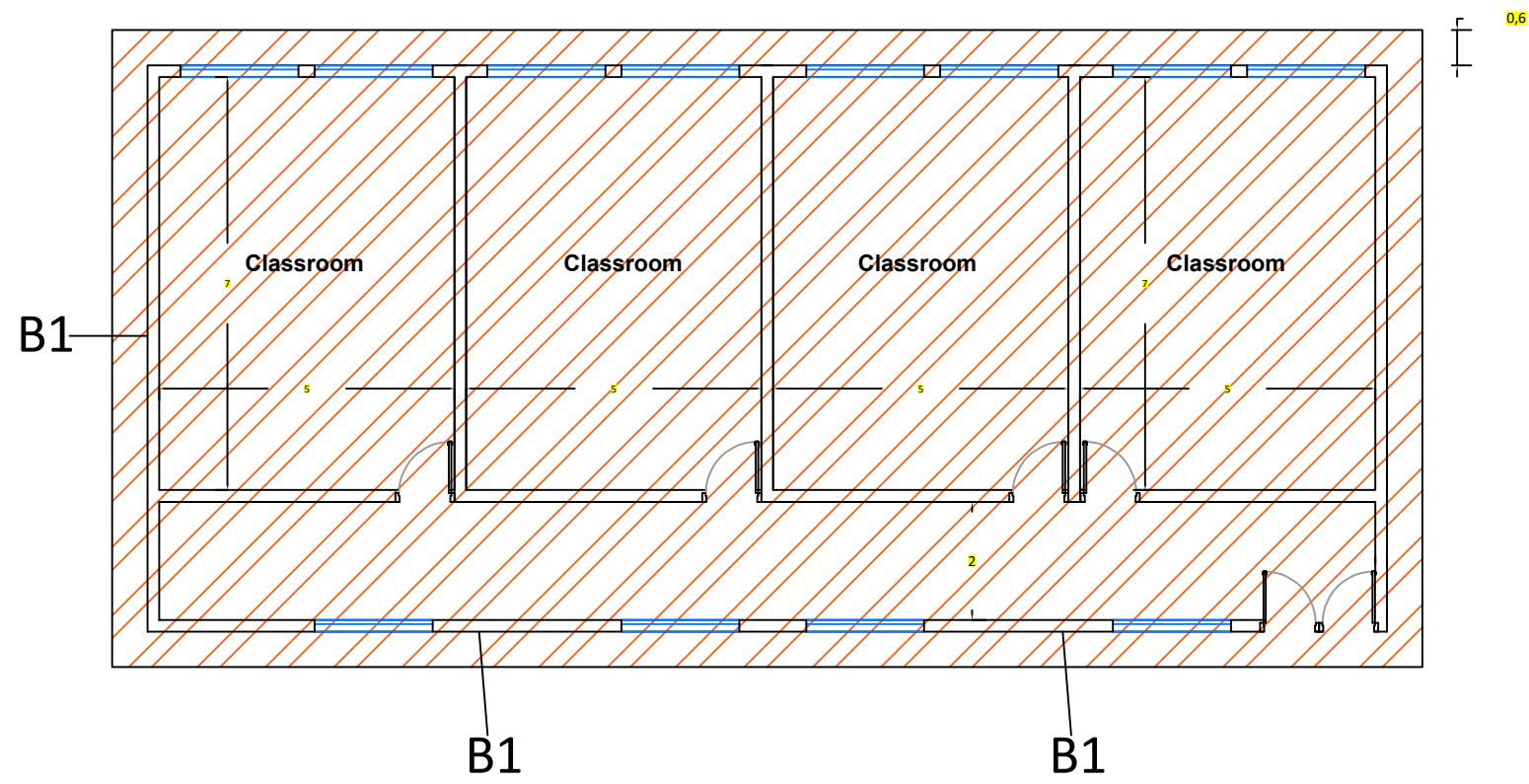
Slab and Beams Plan

Sheet No.

5

Designed By

UNHCR Technical Unit



Project Name

Construction of Four Class Rooms at Mamzawa Primary School in Erbil

Project Place

Erbil Governorate

Legend

Sheet Title

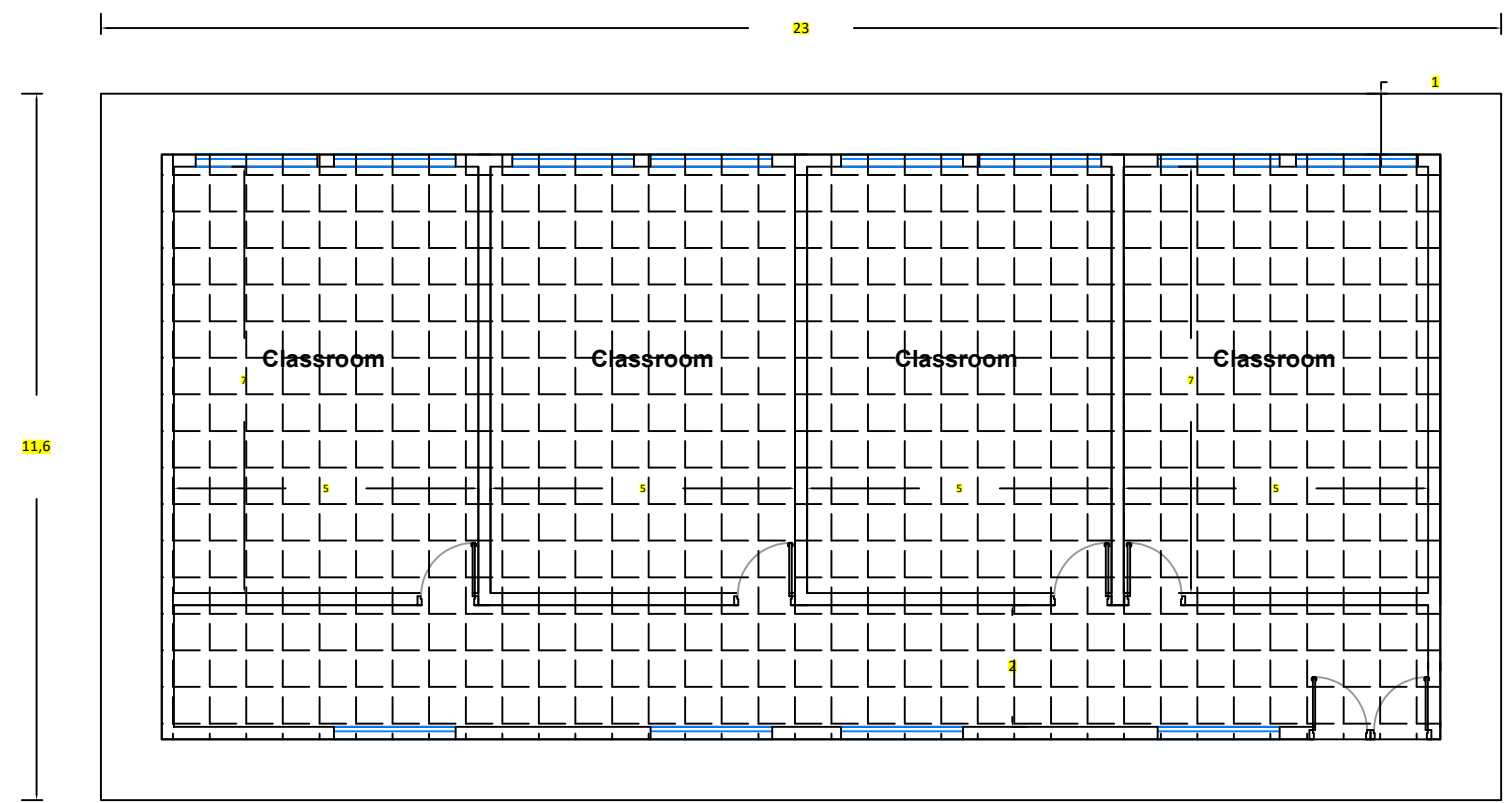
Porcelain Plan

Sheet No.

6

Designed By

UNHCR Technical Unit

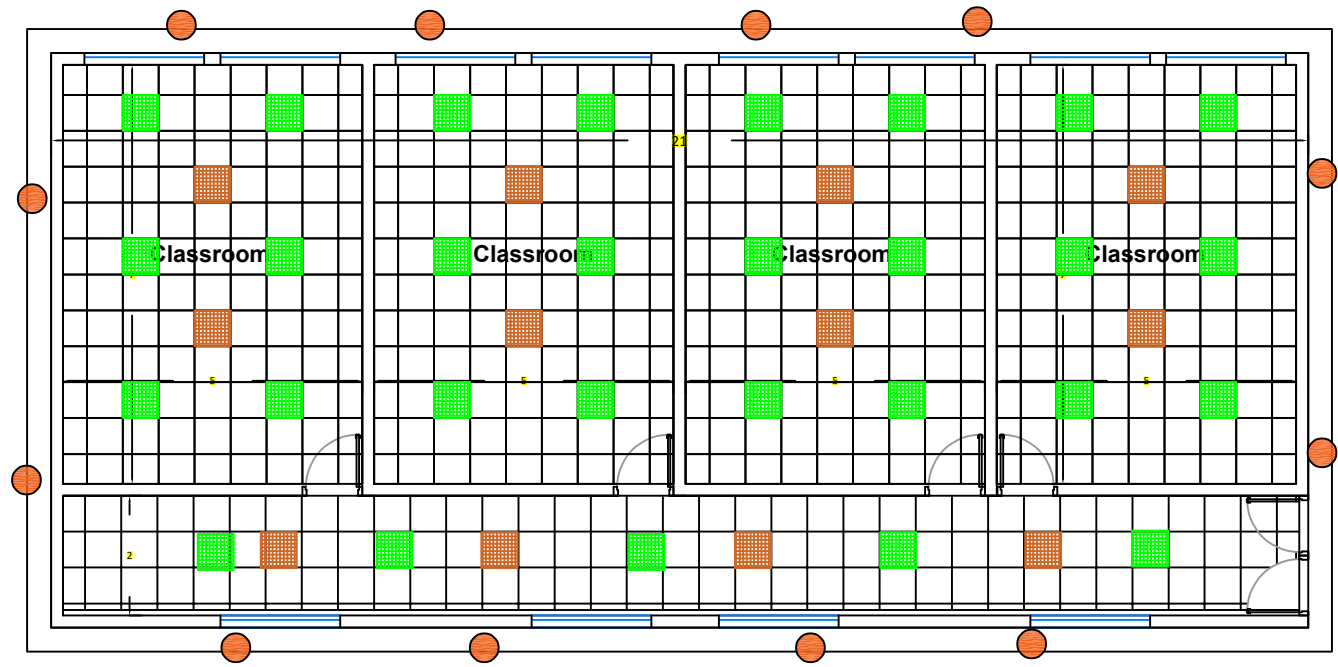


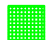


Project Name

Construction of Four Class Rooms at Mamzawa Primary School in Erbil

Project Place

Erbil Governorate

Legend


-  60x60 Lights
-  Ceiling Fan
-  18 watt (Outdoor LED) light

Sheet Title

 - Gypsum False Ceiling
 - Electrical Details

Sheet No.

7

Designed By

UNHCR Technical Unit

Project Name

Construction of Four Class
Rooms at Mamzawa
Primary School in Erbil

Project Place

Erbil Governorate

Legend

Sheet Title

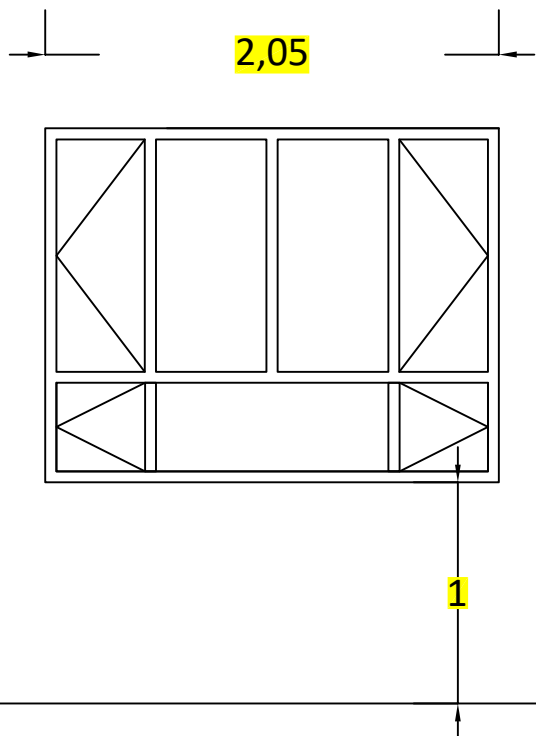
Doors and Windows Details

Sheet No.

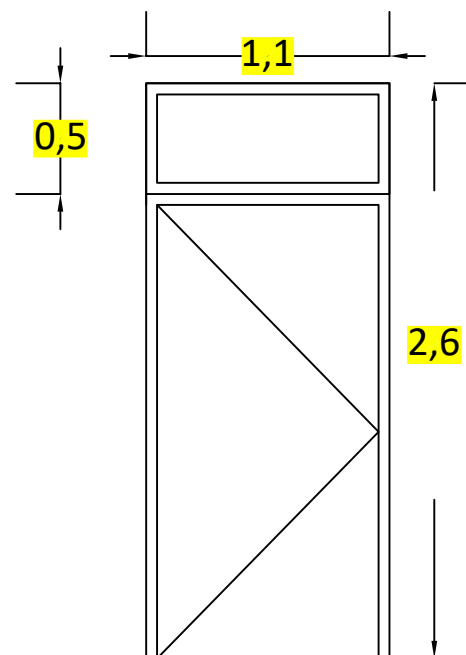
8

Designed By

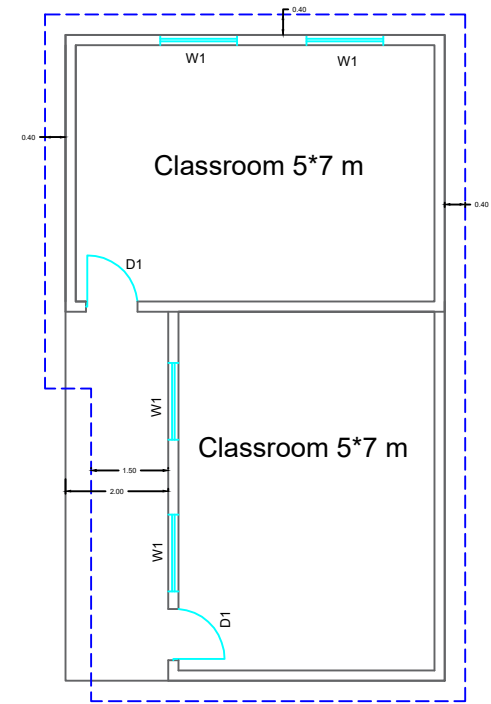
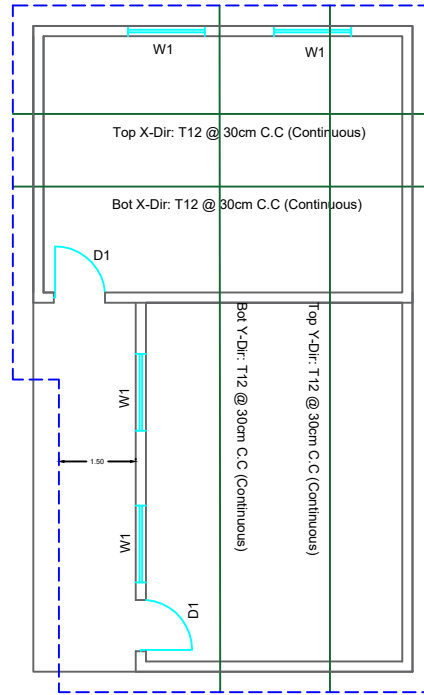
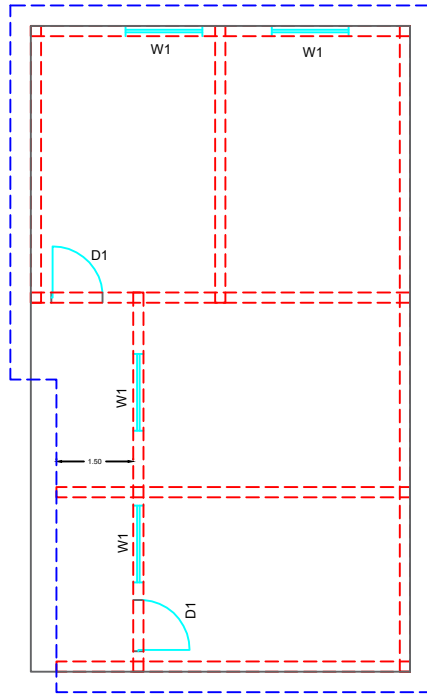
UNHCR Technical Unit



Aluminum
Window



Classroom Door



UNHCR

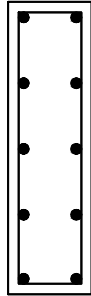
المفوضية السامية للأمم المتحدة لشؤون اللاجئين

Site Plan

Drawn by : KURDS Technical Unit

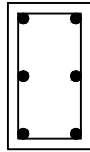
Sheet No. 1

Construction of Two Class Rooms at Bahrka Primary School in Bahrka/ Erbil

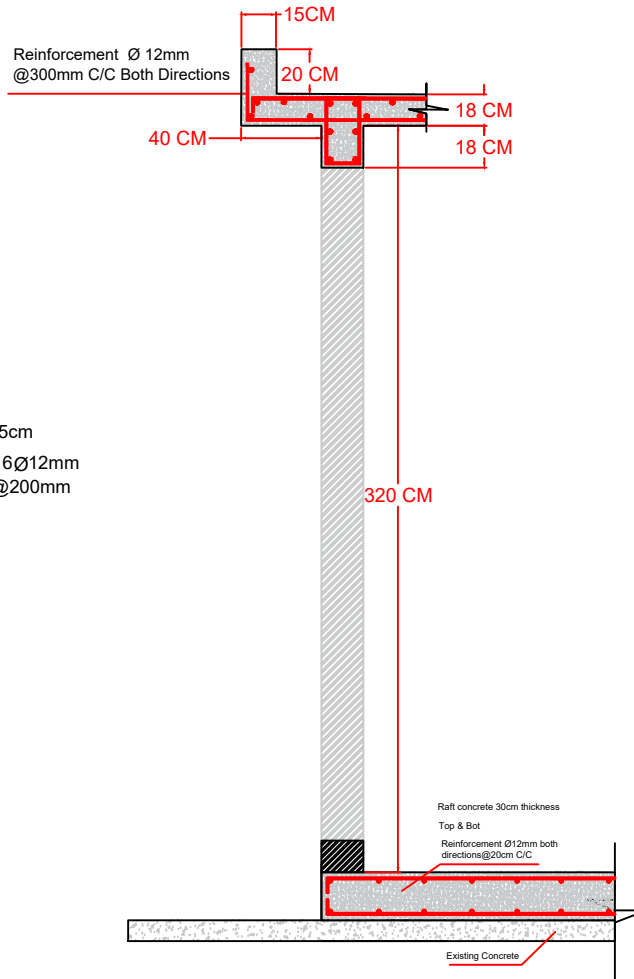


Lintel Over Doors and Windows

Beam 20cm*77cm
 Reinforcement 10 Ø12mm
 Ties Ø10mm @200mm



Beam 20cm*35cm
 Reinforcement 6 Ø12mm
 Ties Ø10mm @200mm



UNHCR

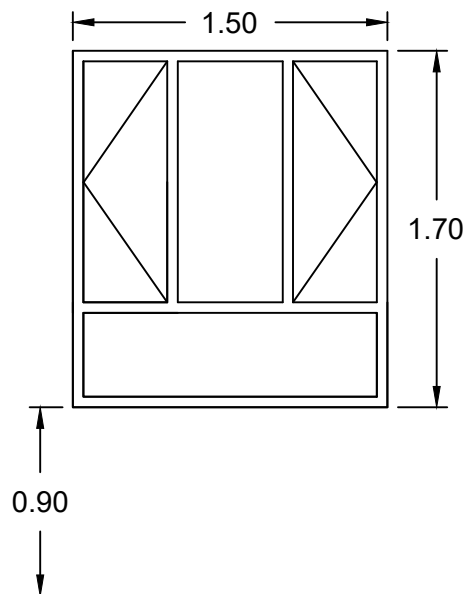
المفوضية السامية للأمم المتحدة لشؤون اللاجئين

Walkway, Wall Footing, beam & Column Section

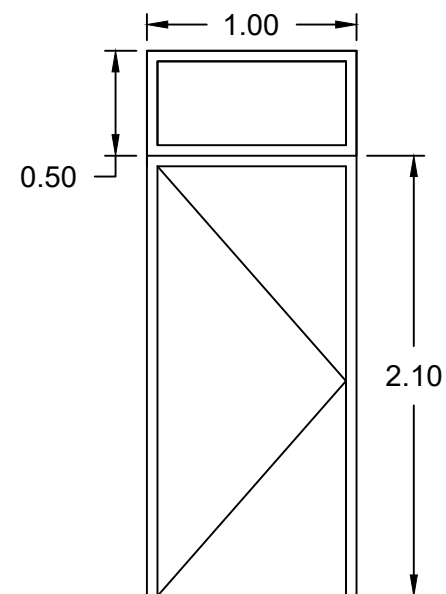
Drawn by : KURDS Technical Unit

Sheet No. 2

Construction of Two Class Rooms at
 Bahrka Primary School in Erbil



Aluminum Window



Door



UNHCR

المفوضية السامية للأمم المتحدة لشؤون اللاجئين

Doors and Windows Detail

Drawn by : KURDS Technical Unit

Sheet No. 3

Construction of Two Class Rooms at
Bahrka School in Erbil