

**UNHCR**

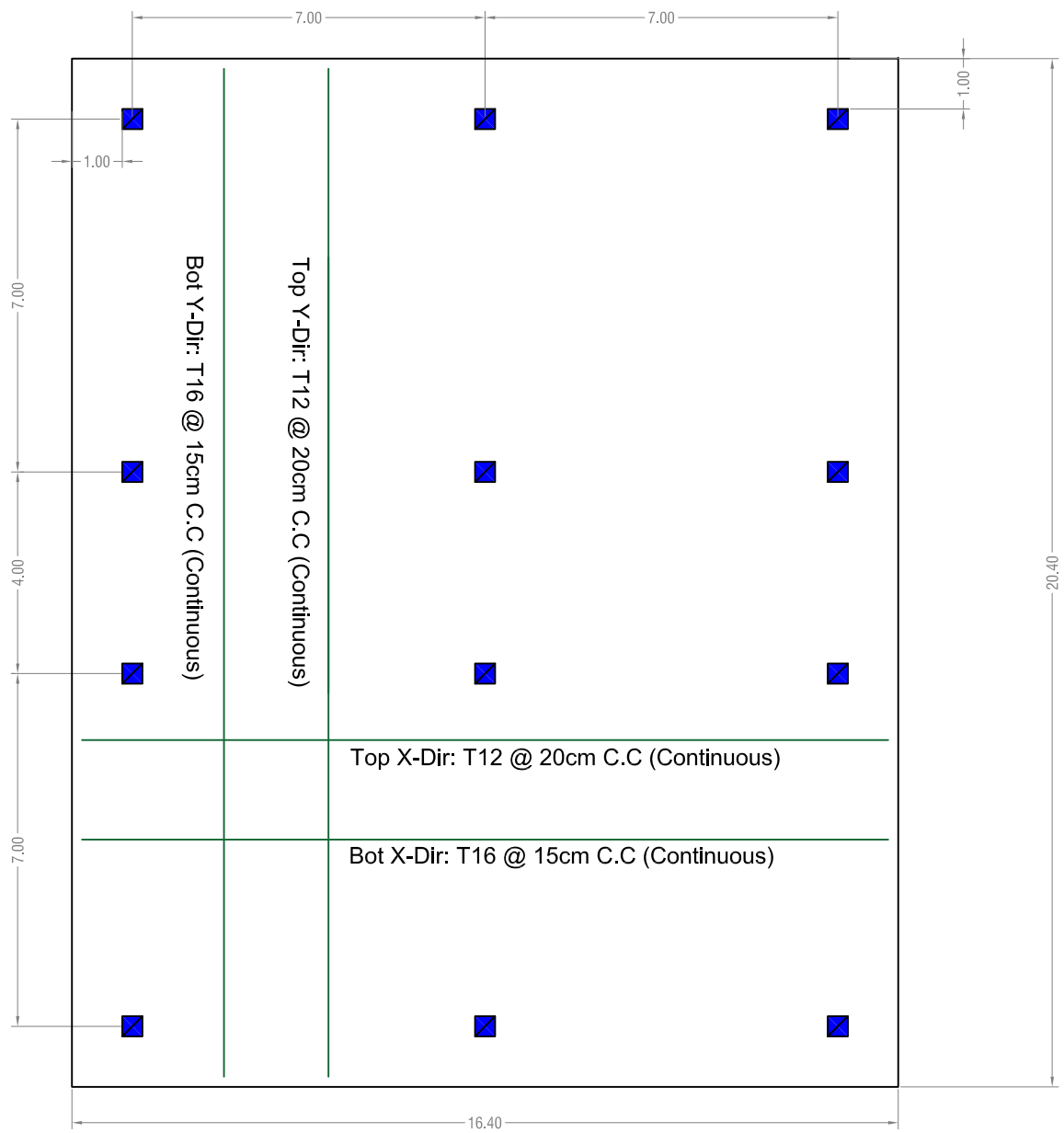
المفوضية السامية للأمم المتحدة لشؤون اللاجئين

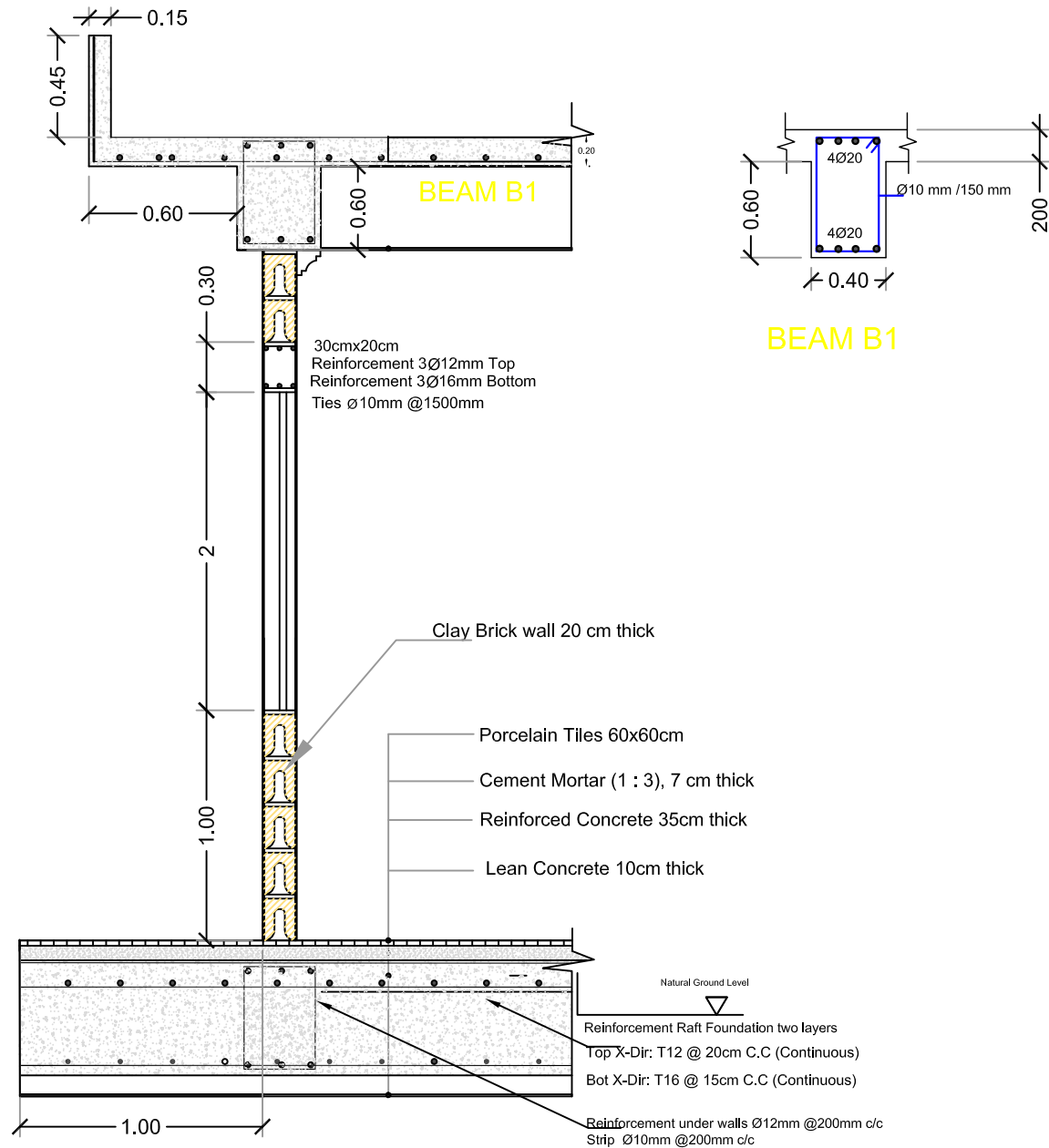
Lab and Library Plan

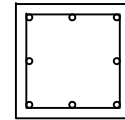
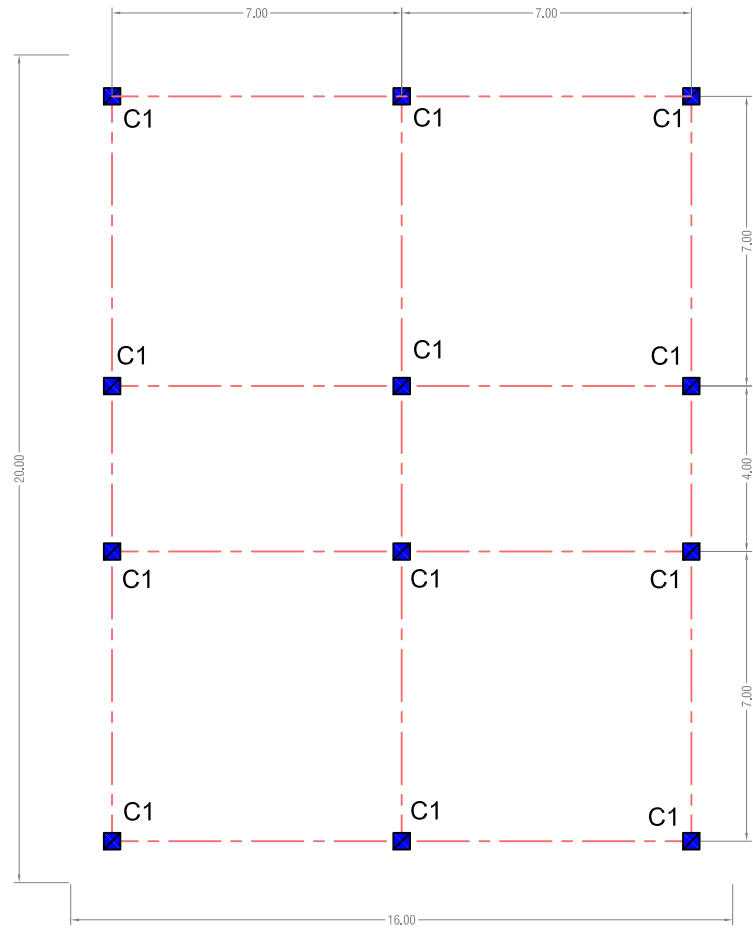
Drawn by : Technical Unit

Sheet No. 1

Construction of Laboratory and Library and Renovation of WASH Facilities at Shakir Fatah School, Sulaymaniah Governorate

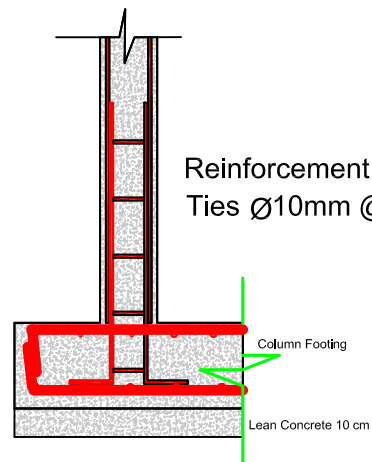


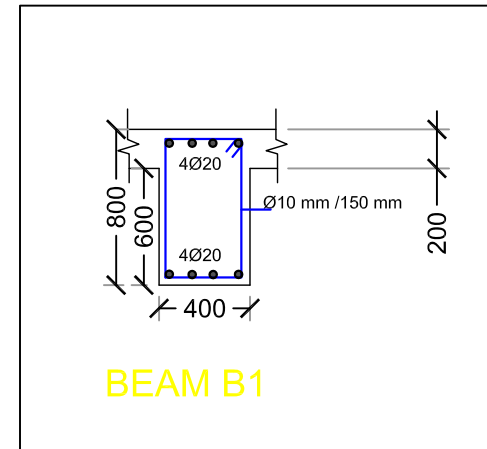
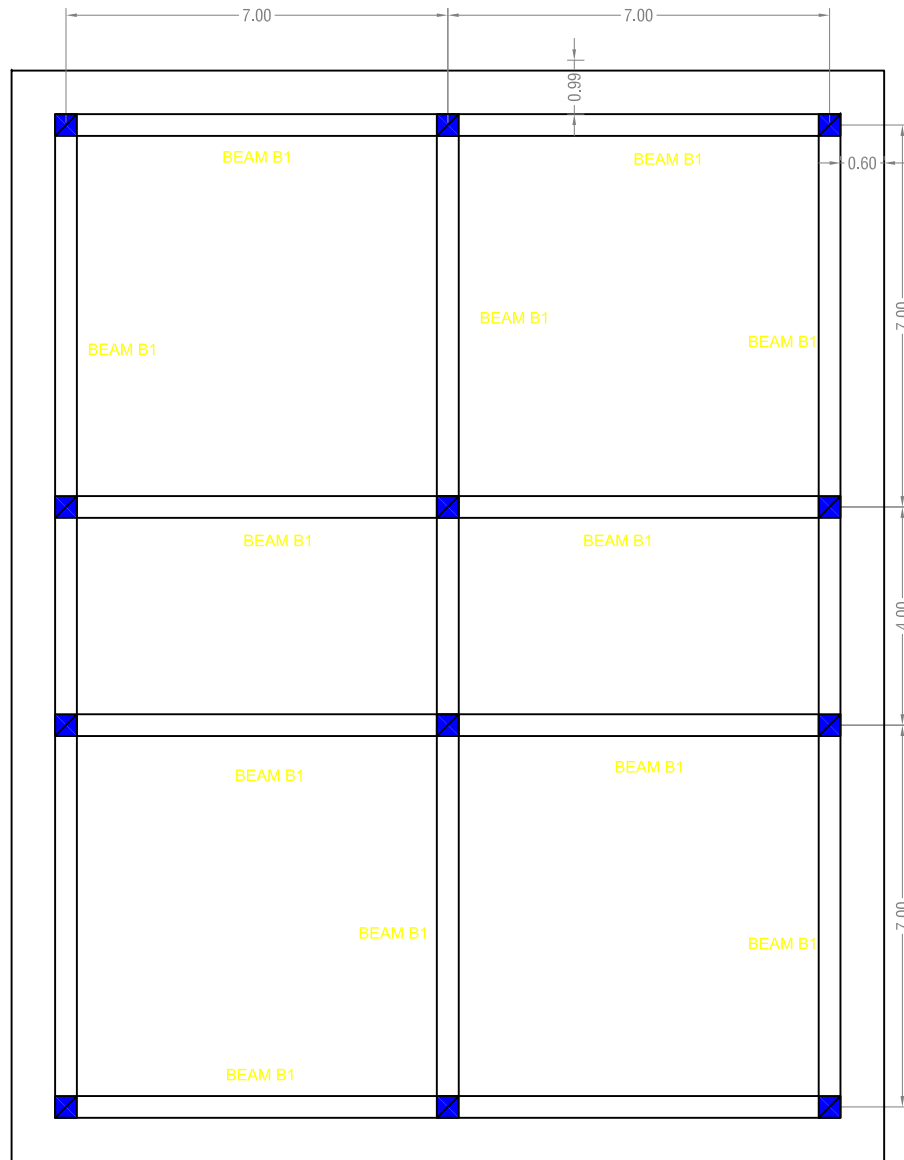


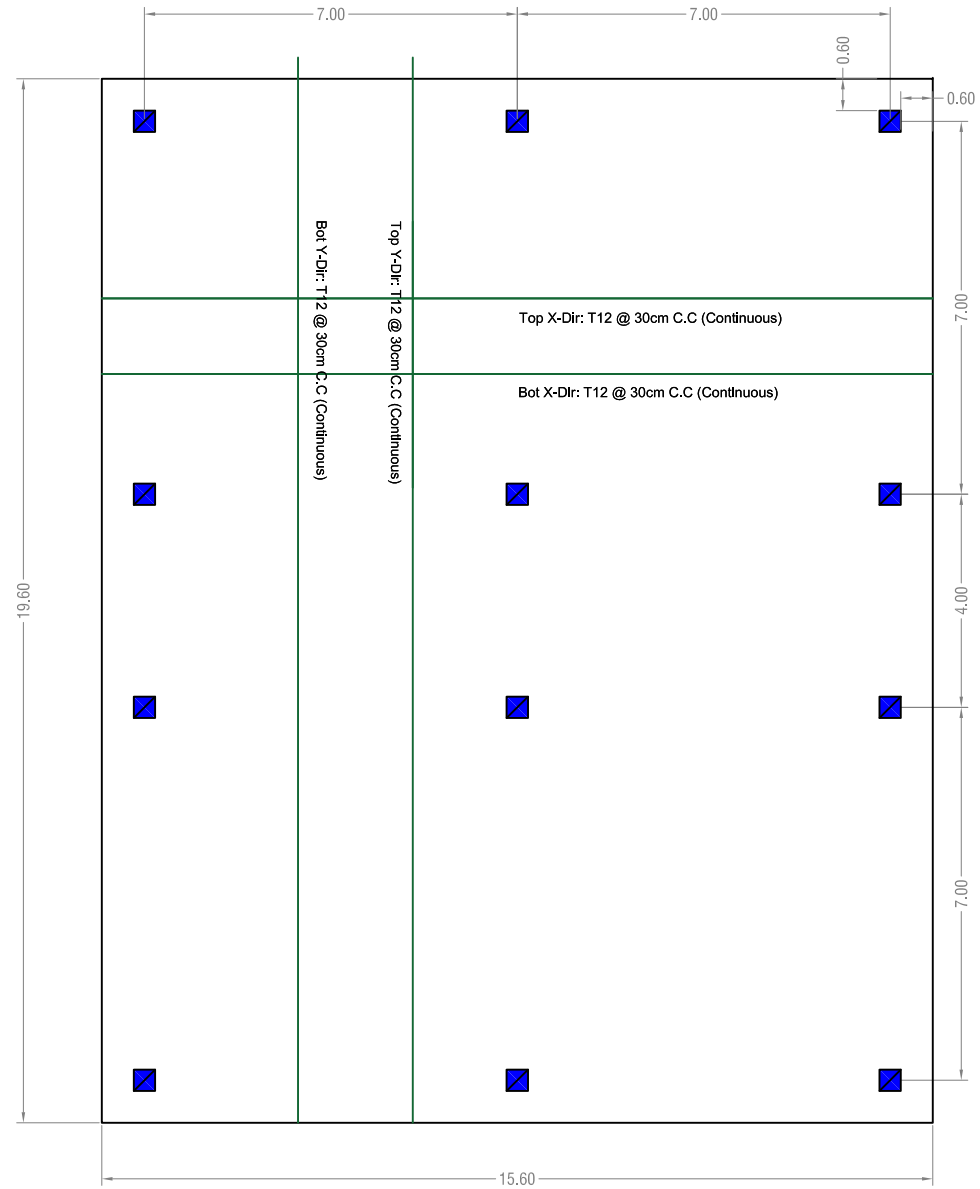


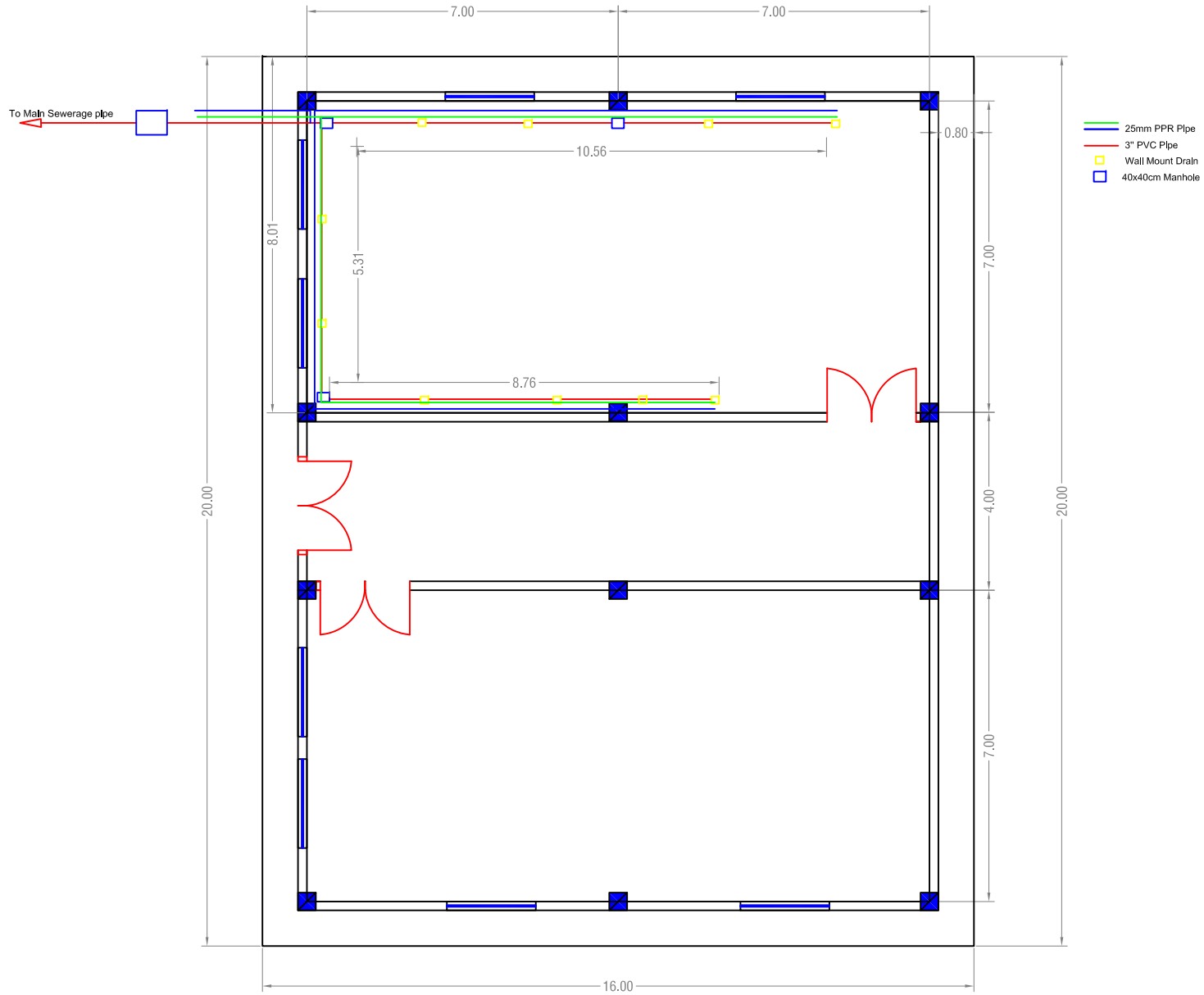
C1

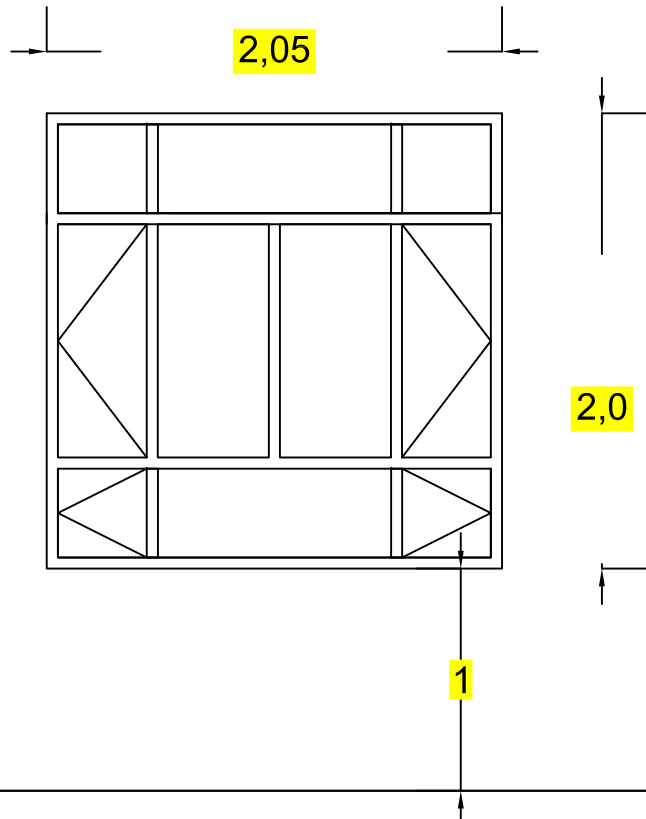
40cmx40cm  
 Reinforcement 8Ø16mm  
 Ties Ø10mm @200mm



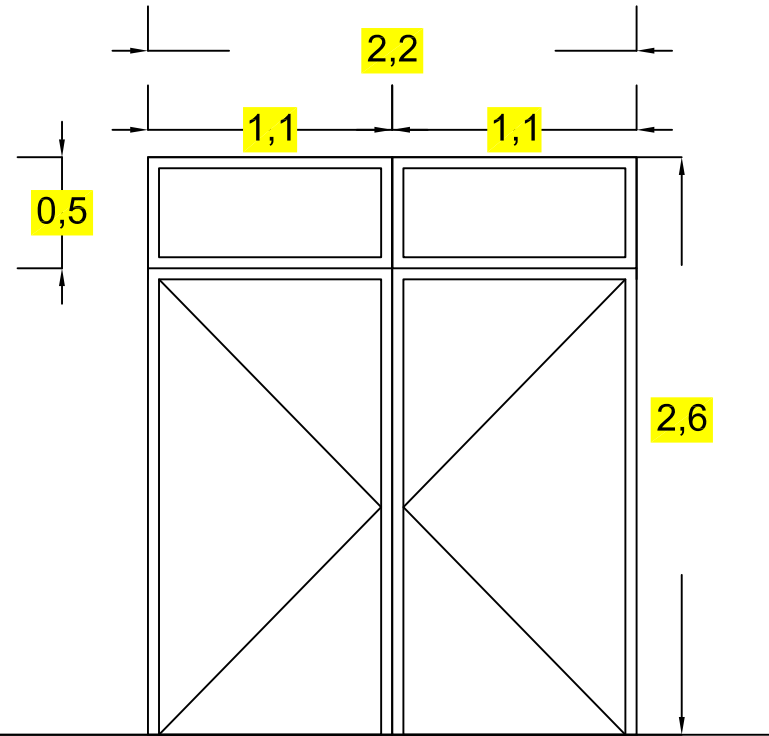






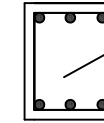
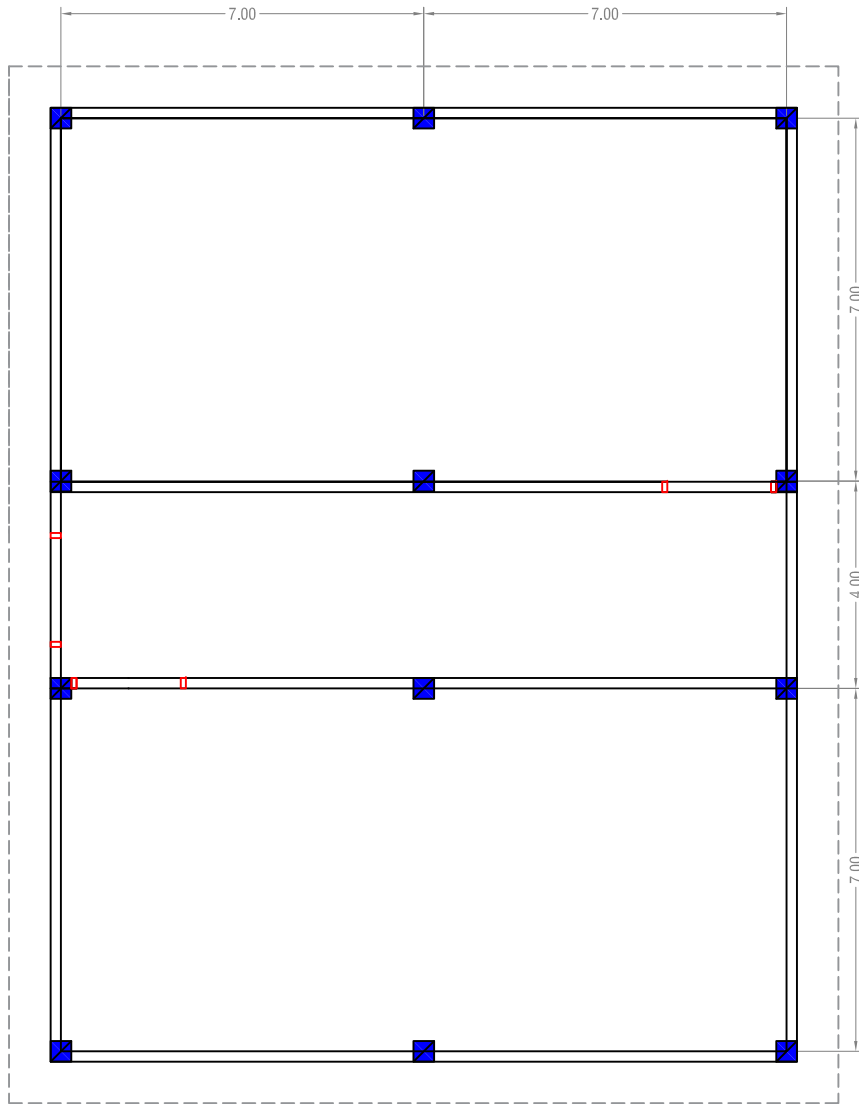


Aluminum Window



Door





Tie Beam  
 30cmx20cm  
 Reinforcement 3 12mm Top  
 Reinforcement 3 16mm Bottom  
 Ties  $\varnothing$ 10mm @1500mm

Tie Beam



**UNHCR**

المفوضية السامية للأمم المتحدة لشؤون اللاجئين

Tie Beam Design

Drawn by : Technical Unit

Sheet No. 9

Construction of Laboratory and Library and Renovation of WASH  
 Facilities at Shakir Fatah School, Sulaymaniah Governorate