

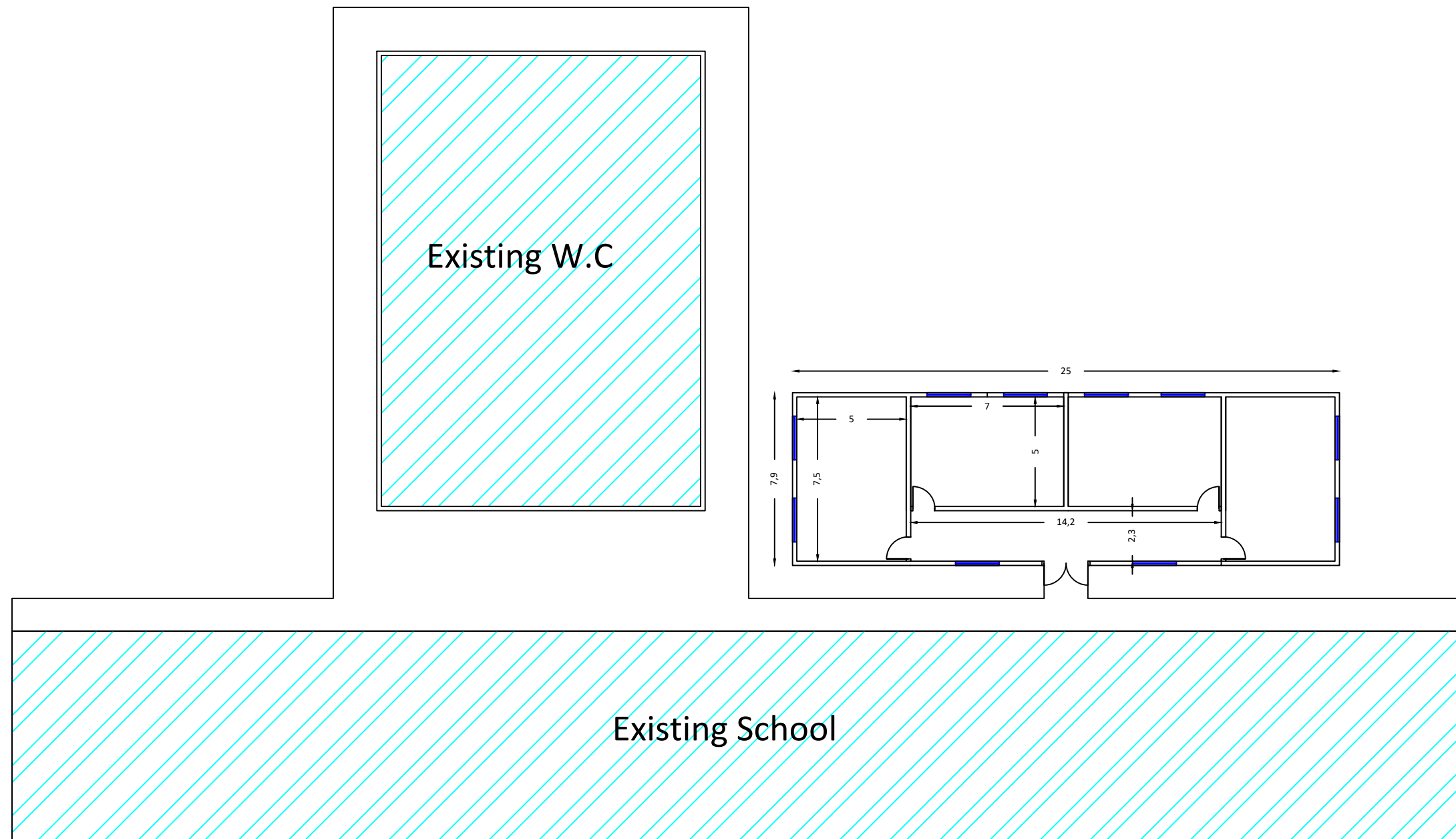
Project Name

Construction of 4
Classrooms in Sarsayan
School in Raniya

Project Place

Sulaymaniya Governorate

Legend



Sheet Title

General layout

Sheet No.

1

Designed By

UNHCR Technical Unit

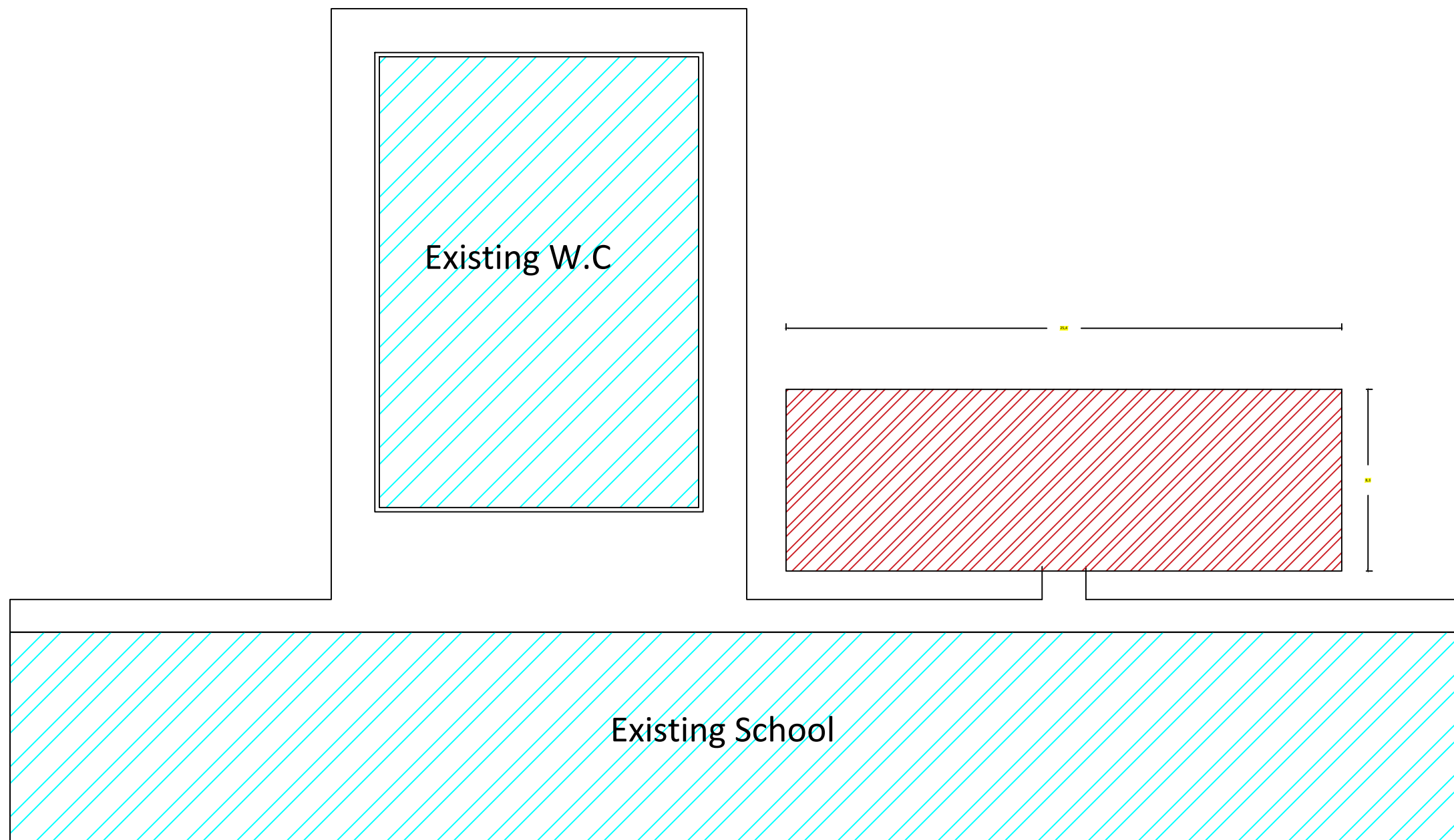
Project Name

Construction of 4
Classrooms in Sarsayan
School in Raniya

Project Place

Sulaymaniya Governorate

Legend



Sheet Title

Lean and Raft
Foundation Concrete

Sheet No.

2

Designed By

UNHCR Technical Unit

Project Name

Construction of 4 Classrooms in Sarsayan School in Raniya

Project Place

Sulaymaniya Governorate

Legend

Sheet Title

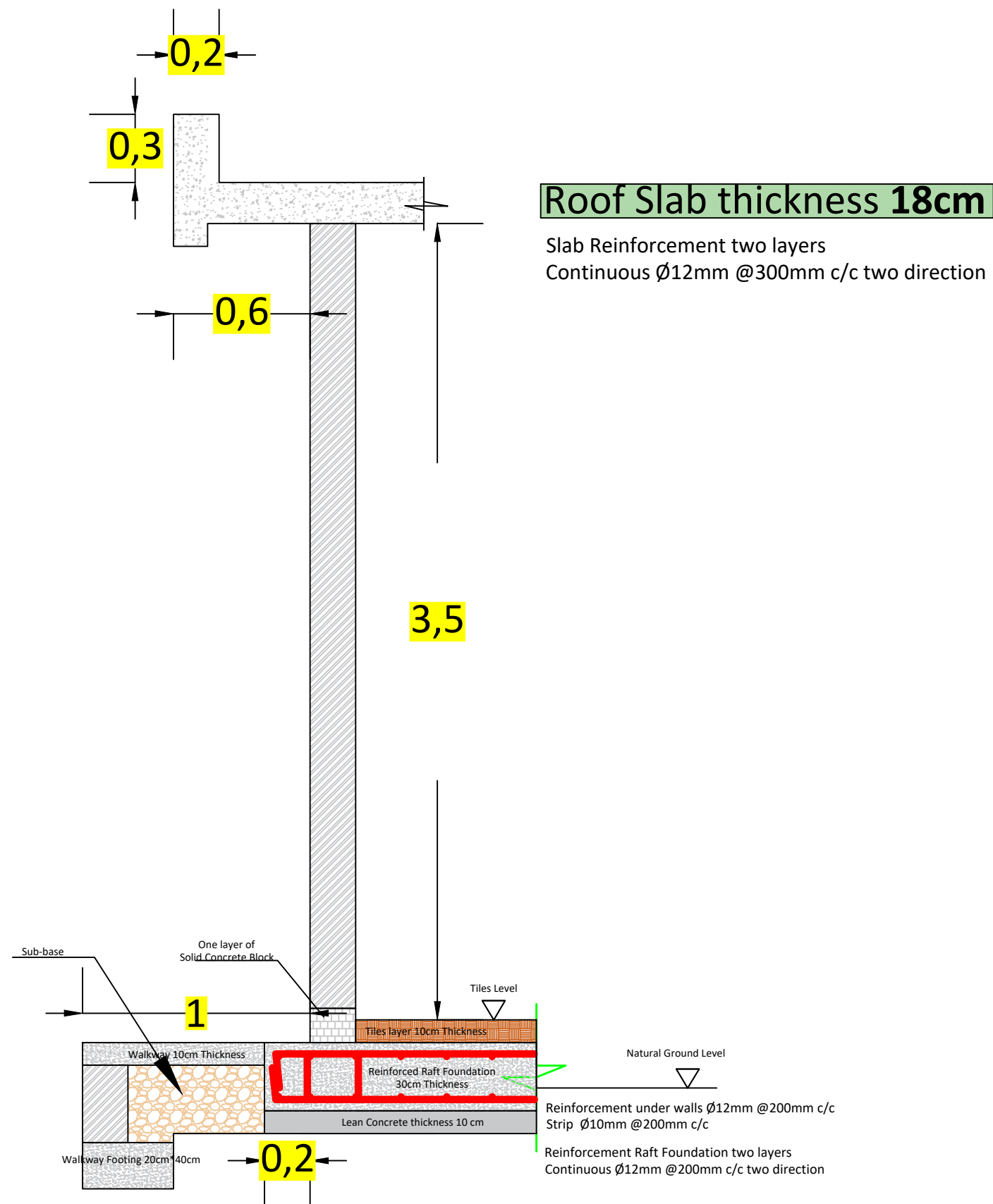
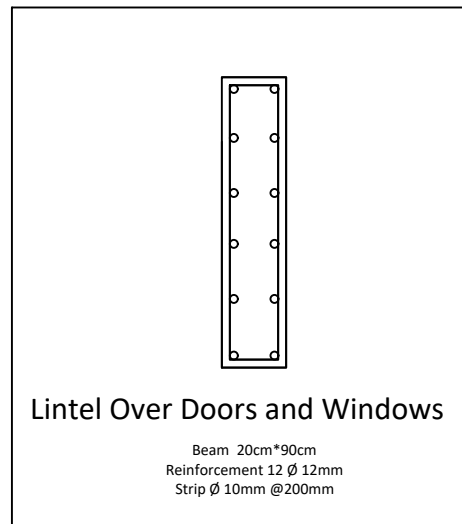
-Wall Section
-Raft Foundation
Reinforcement
-Slab Reinforcement
-Beams Detail

Sheet No.

3

Designed By

UNHCR Technical Unit



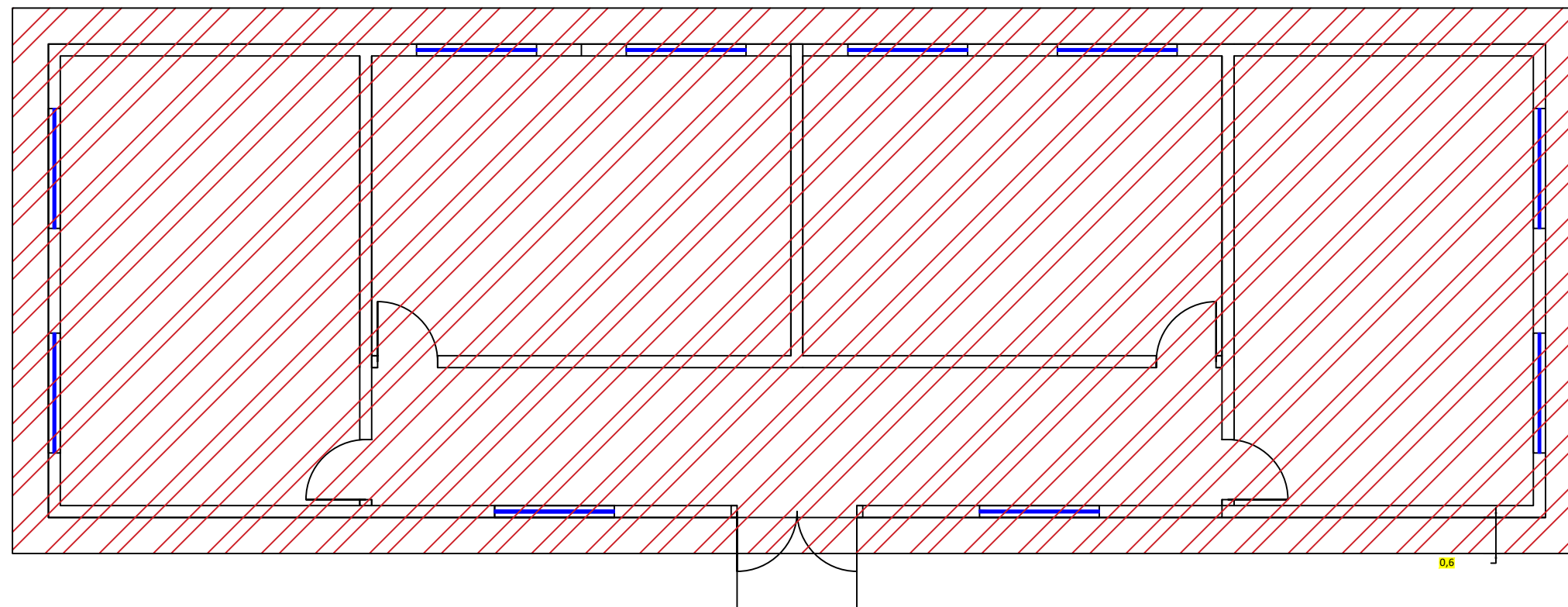
Project Name

Construction of 4
Classrooms in Sarsayan
School in Raniya

Project Place

Sulaymaniya Governorate

Legend



Sheet Title

Slab

Sheet No.

4

Designed By

UNHCR Technical Unit

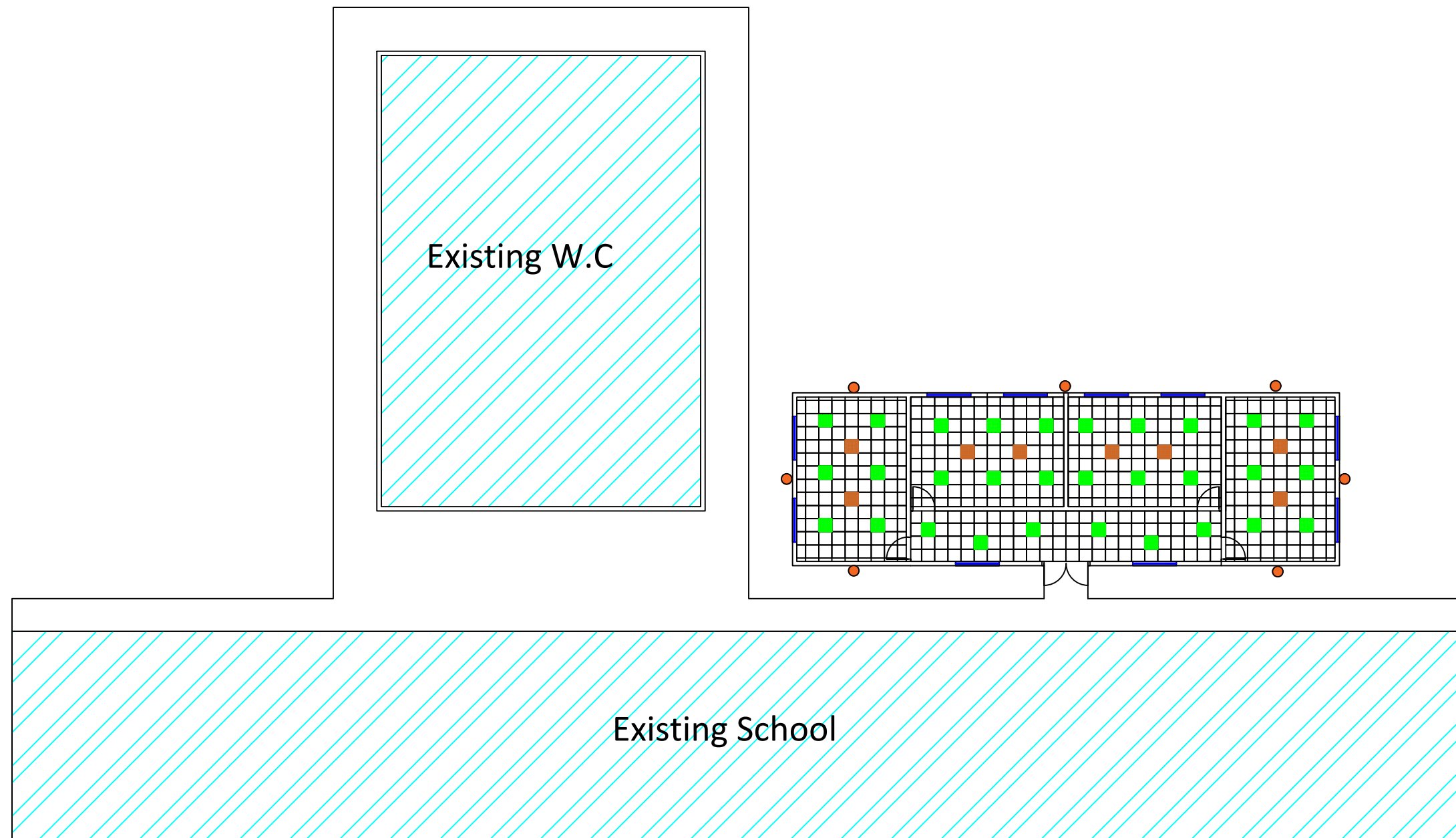
Project Name

Construction of 4 Classrooms in Sarsayan School in Raniya

Project Place

Sulaymaniya Governorate

Legend



- 60x60 Lights
- Ceiling Fan
- 18 watt (Outdoor LED) light

Sheet Title

-False Ceiling Distribution
-Lights Distribution
-Fans Distribution

Sheet No.

5

Designed By

UNHCR Technical Unit

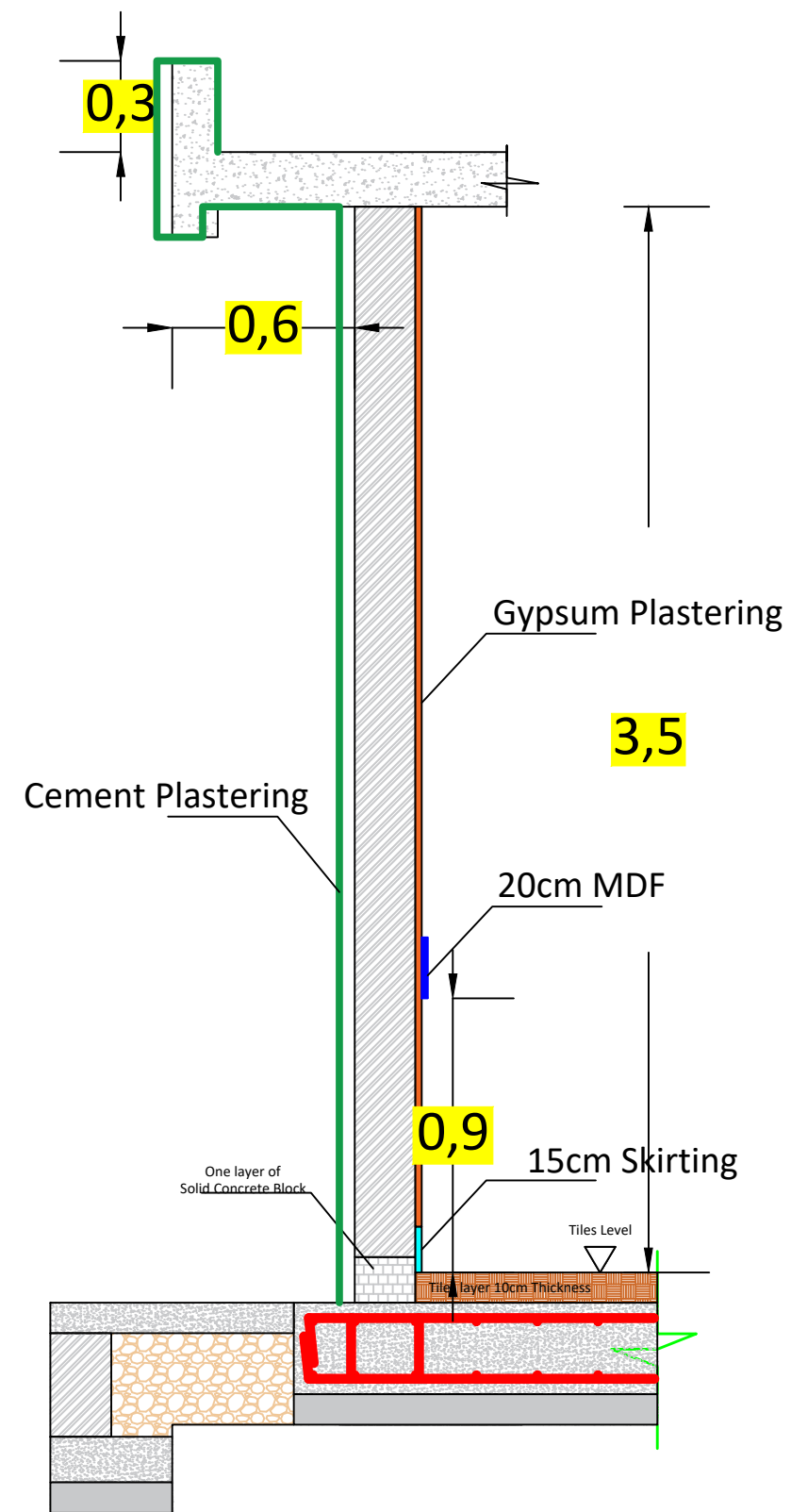
Project Name

Construction of 4 Classrooms in Sarsayan School in Raniya

Project Place

Sulaymaniya Governorate

Legend



Sheet Title

Finishing Details

Sheet No.

6

Designed By

UNHCR Technical Unit

Project Name

Construction of 4
Classrooms in Sarsayan
School in Raniya

Project Place

Sulaymaniya Governorate

Legend

Sheet Title

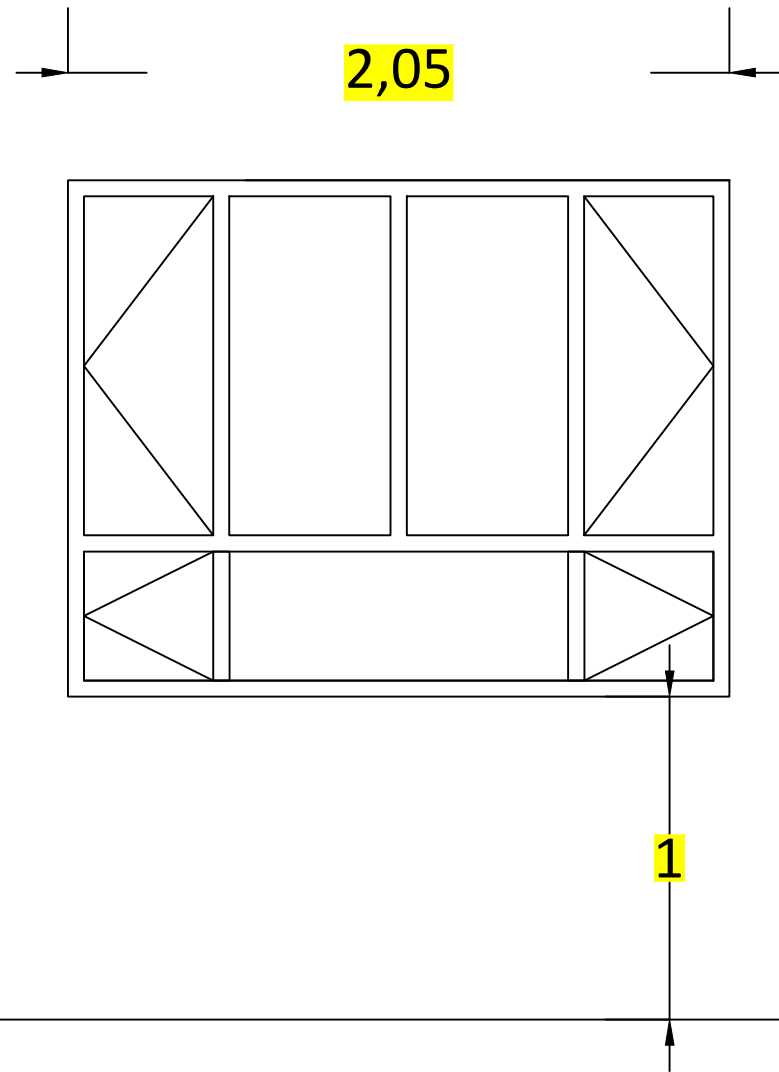
Doors and Windows Details

Sheet No.

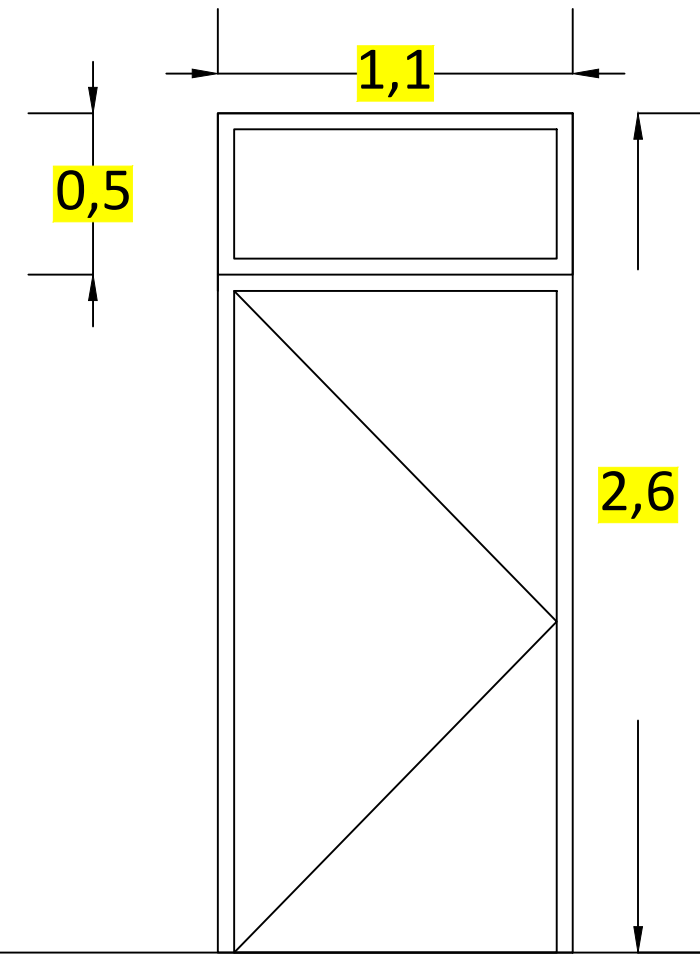
7

Designed By

UNHCR Technical Unit



**Aluminum
Window**



Classroom Door