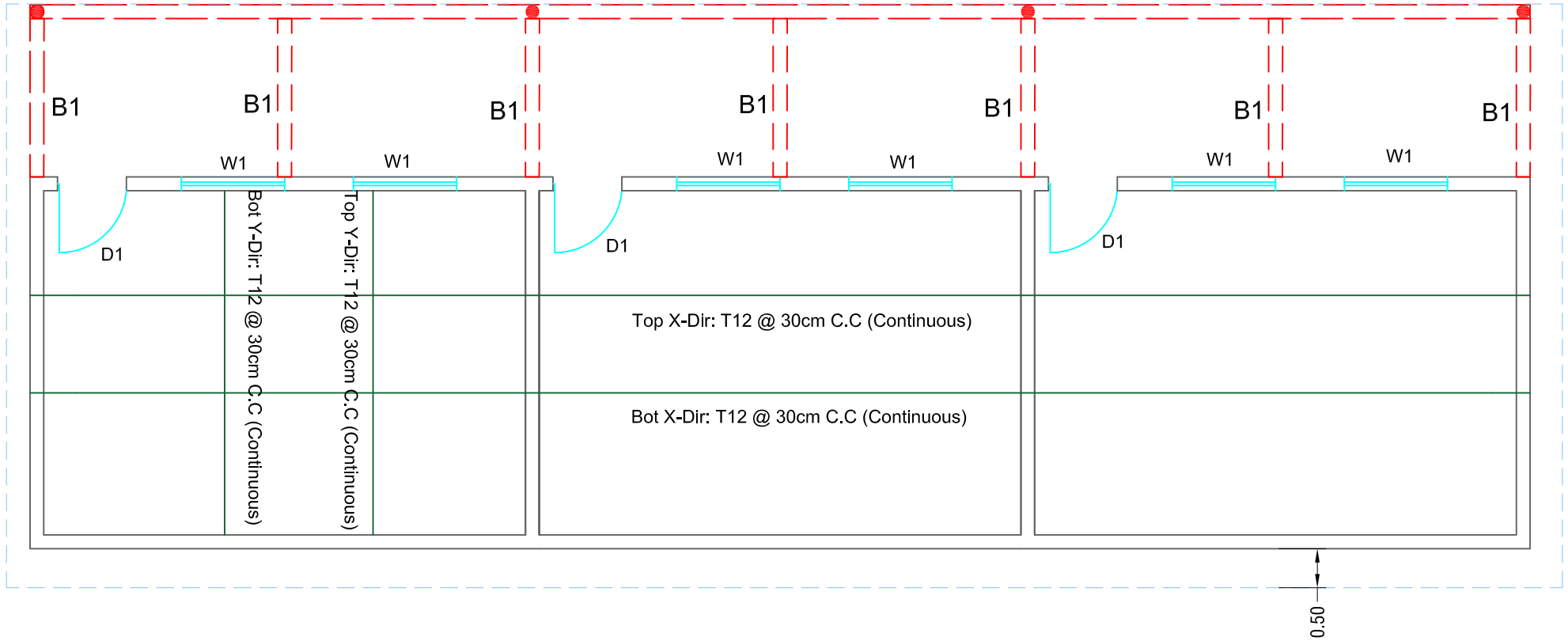
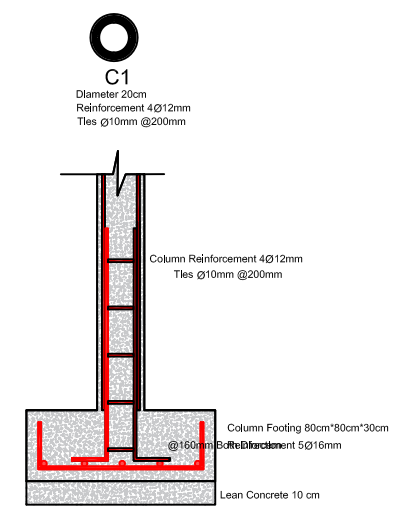
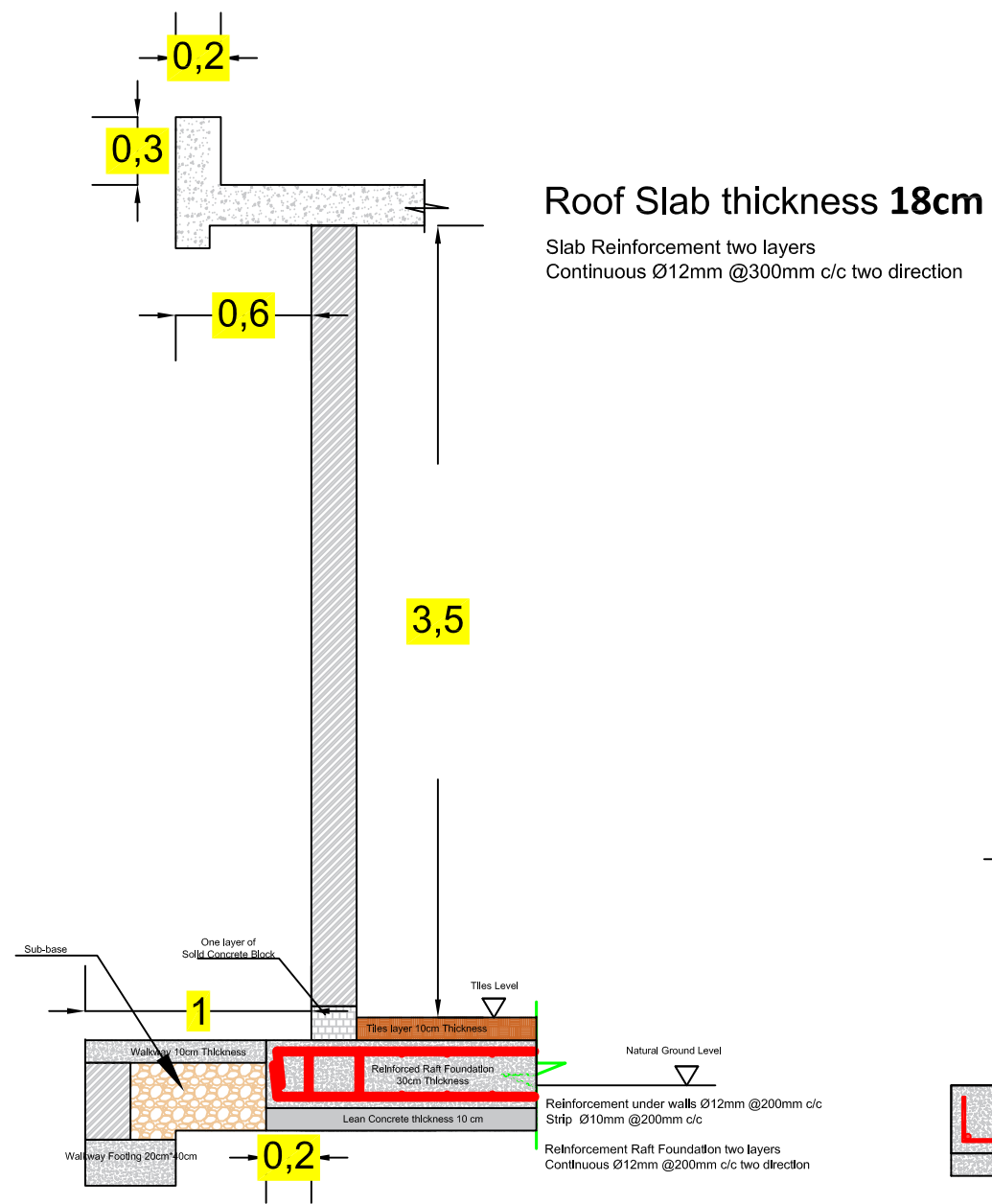
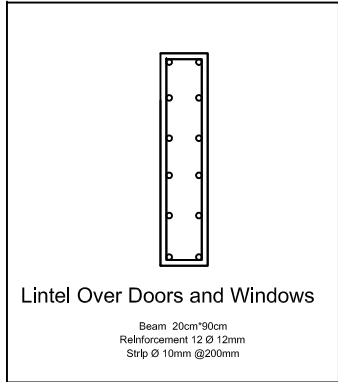


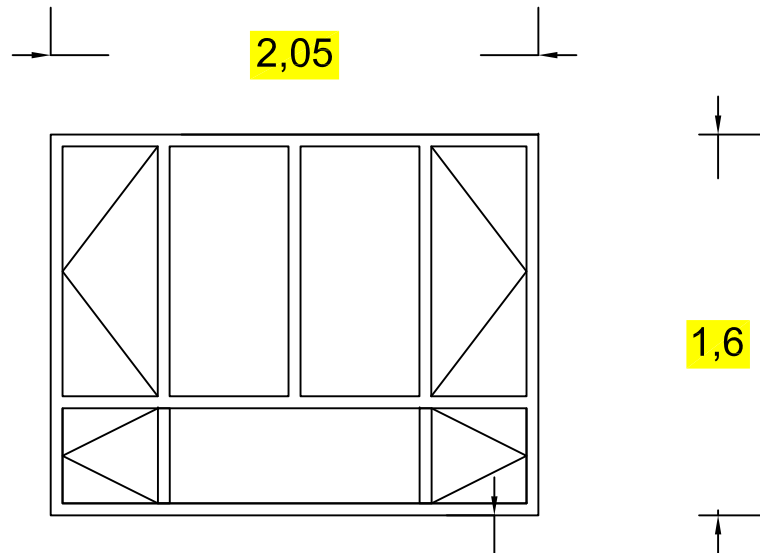


B1

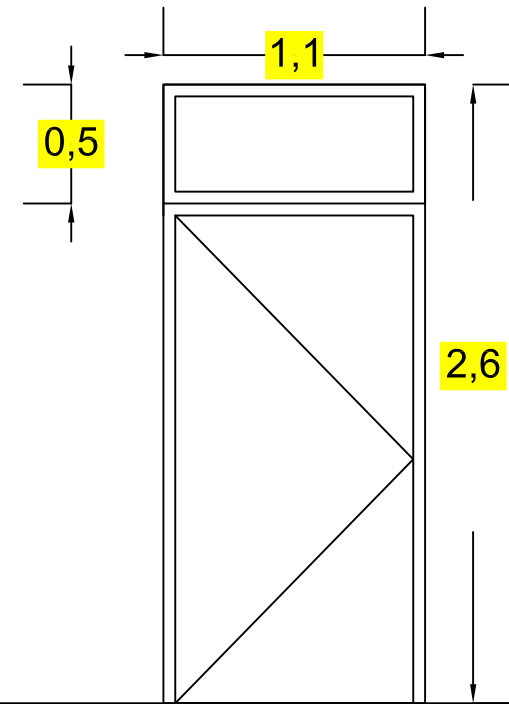
Beam 40cm*40cm
Reinforcement 6 Ø 12mm
Strip Ø 10mm @200mm



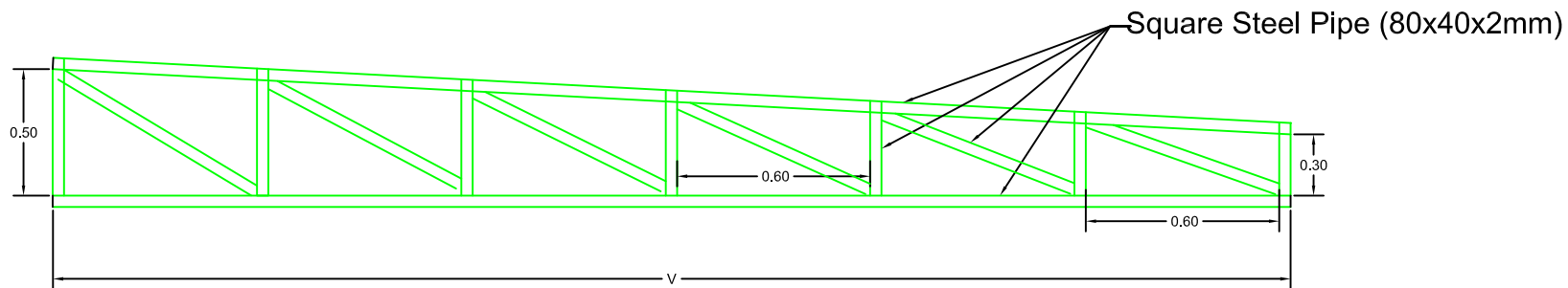
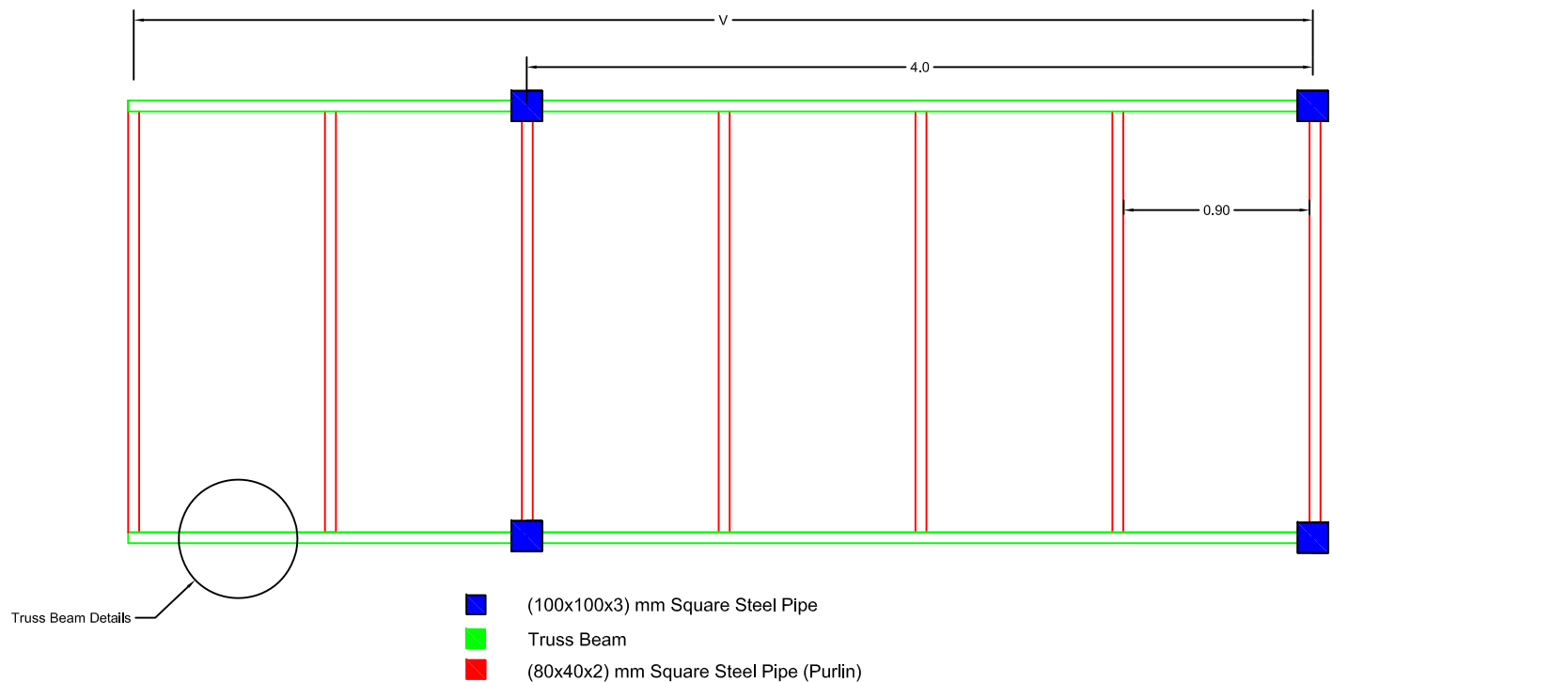




Aluminum Window



Door



Truss Beam Details