

NOTES :-

LEGENDS :-

REFERENCE DRAWINGS	
DRAWING No.	TITLE
	General layout

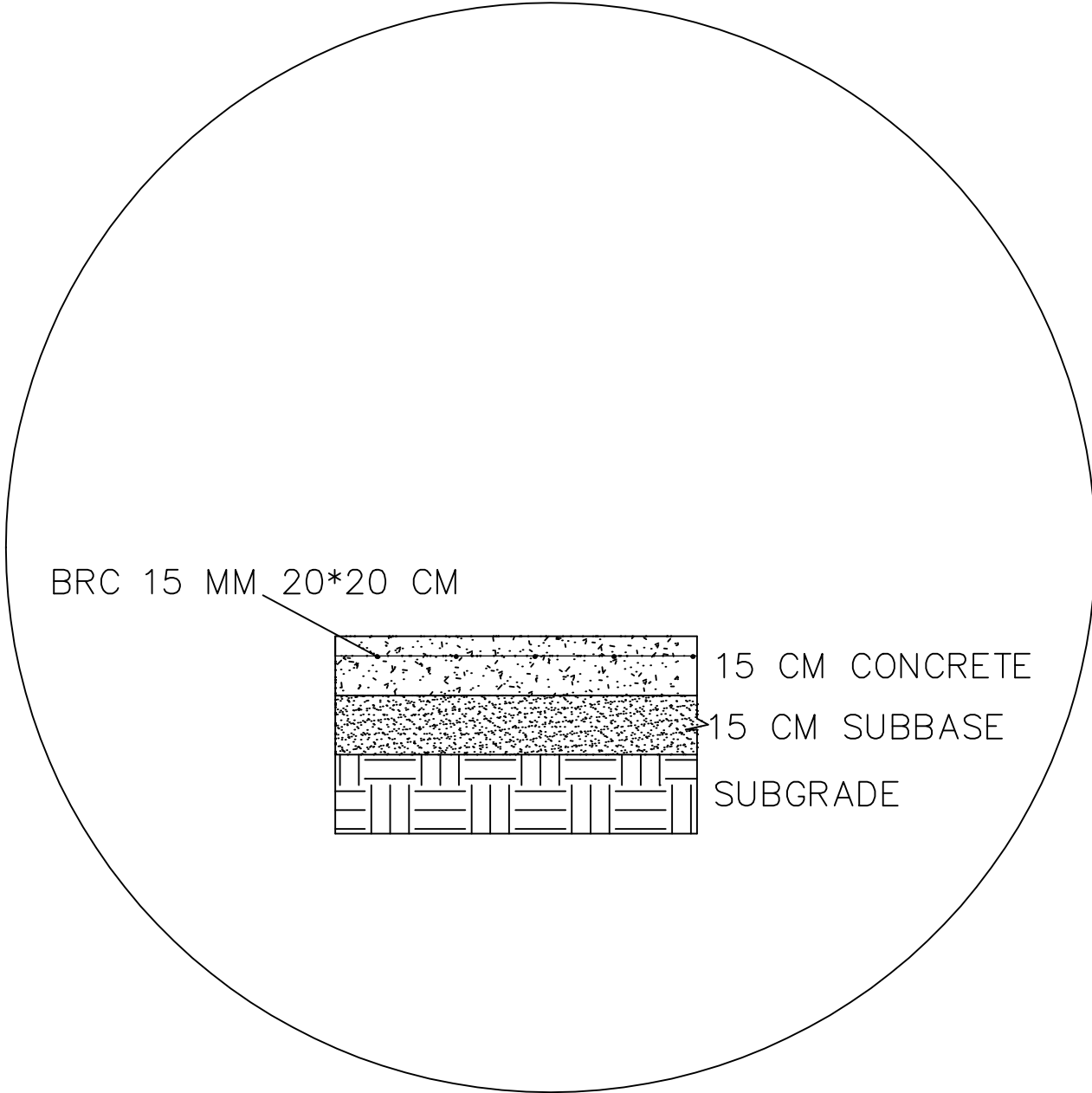
RENOVATION OF KELEK PHC

REV	DESCRIPTION OF REVISION	DATE	DRAWN BY	CHECKED BY

SCALE



SCALE	
DRAWING SIZE	
PRIORITY NO.	



NOTES :-

LEGENDS :-

REFERENCE DRAWINGS

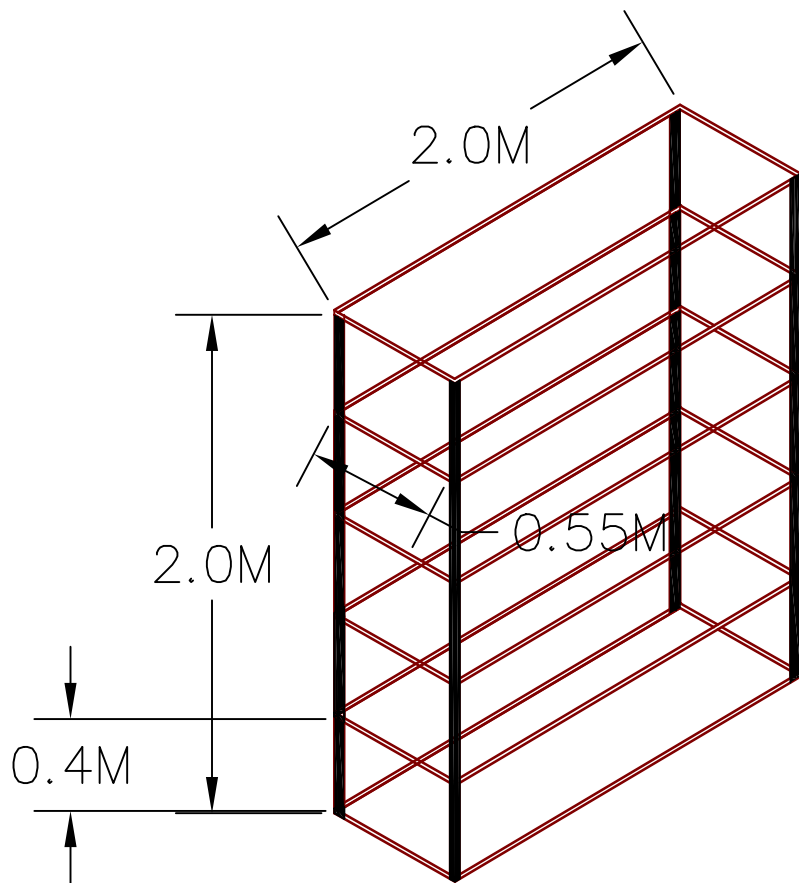
DRAWING No.	TITLE
	Floor Concrete Section

RENOVATION OF KELEK PHC

No.	DESCRIPTION OF REVISION	DATE	BY	CHECKED BY	SCALE



SCALE	
DRAWING CODE	
PROJECT No.	



NOTES :-

LEGENDS :-

REFERENCE DRAWINGS

DRAWING No.	TITLE
	shelves

RENOVATION OF KELEK PHC

REV	DESCRIPTION OF REVISION	DATE	DRAWN BY	CHECKED BY	SCALE



SCALE		
DRAWING DATE		
DRAWING No.		REV 0