

**Project Name**

Construction of Two Class Rooms at Stayish Primary School in Bahrka

**Project Place**

Erbil Governorate

**Legend**

**Sheet Title**

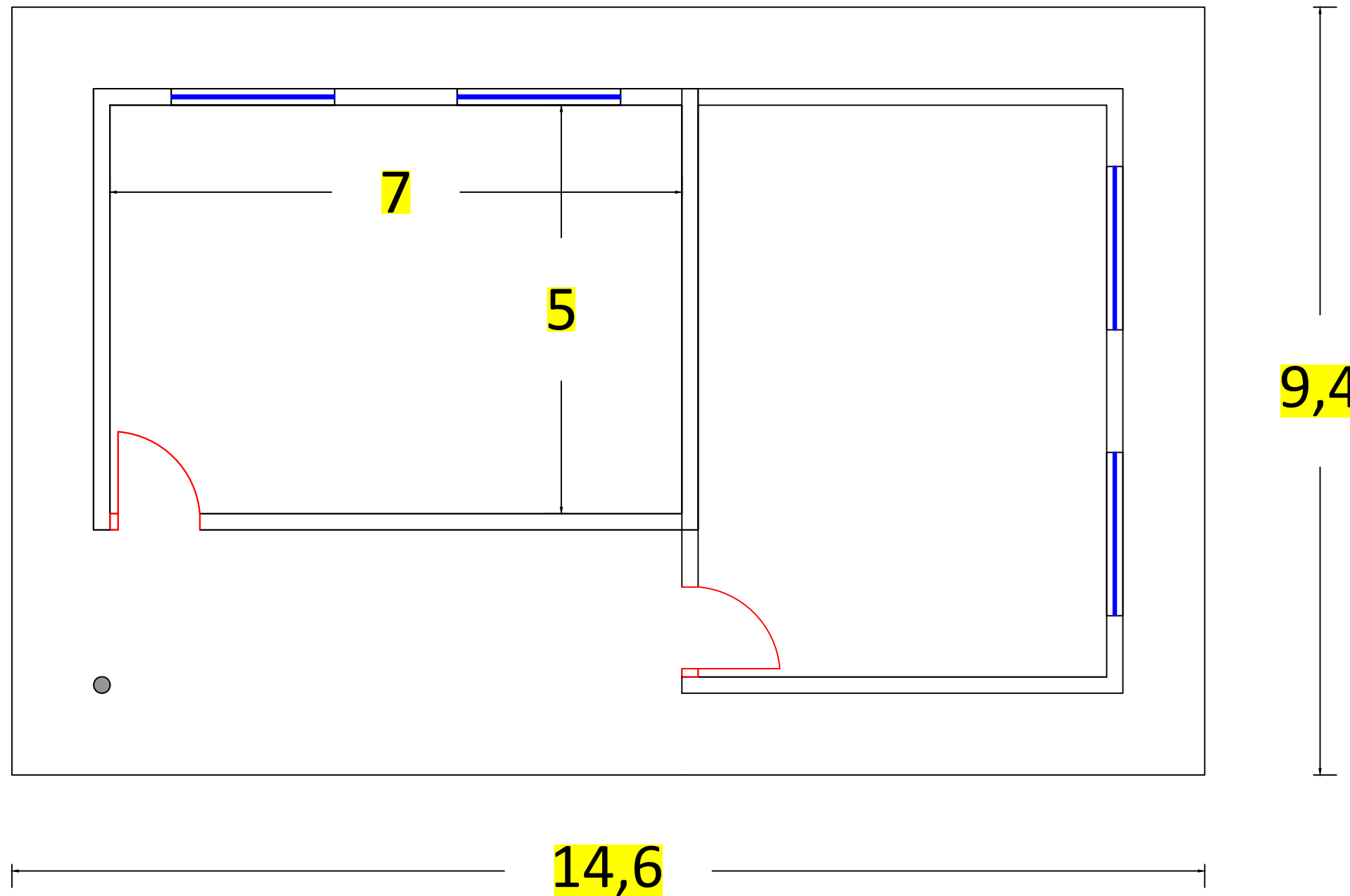
General Plan

**Sheet No.**

1

**Designed By**

UNHCR Technical Unit



**Project Name**

Construction of Two Class Rooms at Stayish Primary School in Bahrka

**Project Place**

Erbil Governorate

**Legend**

**Sheet Title**

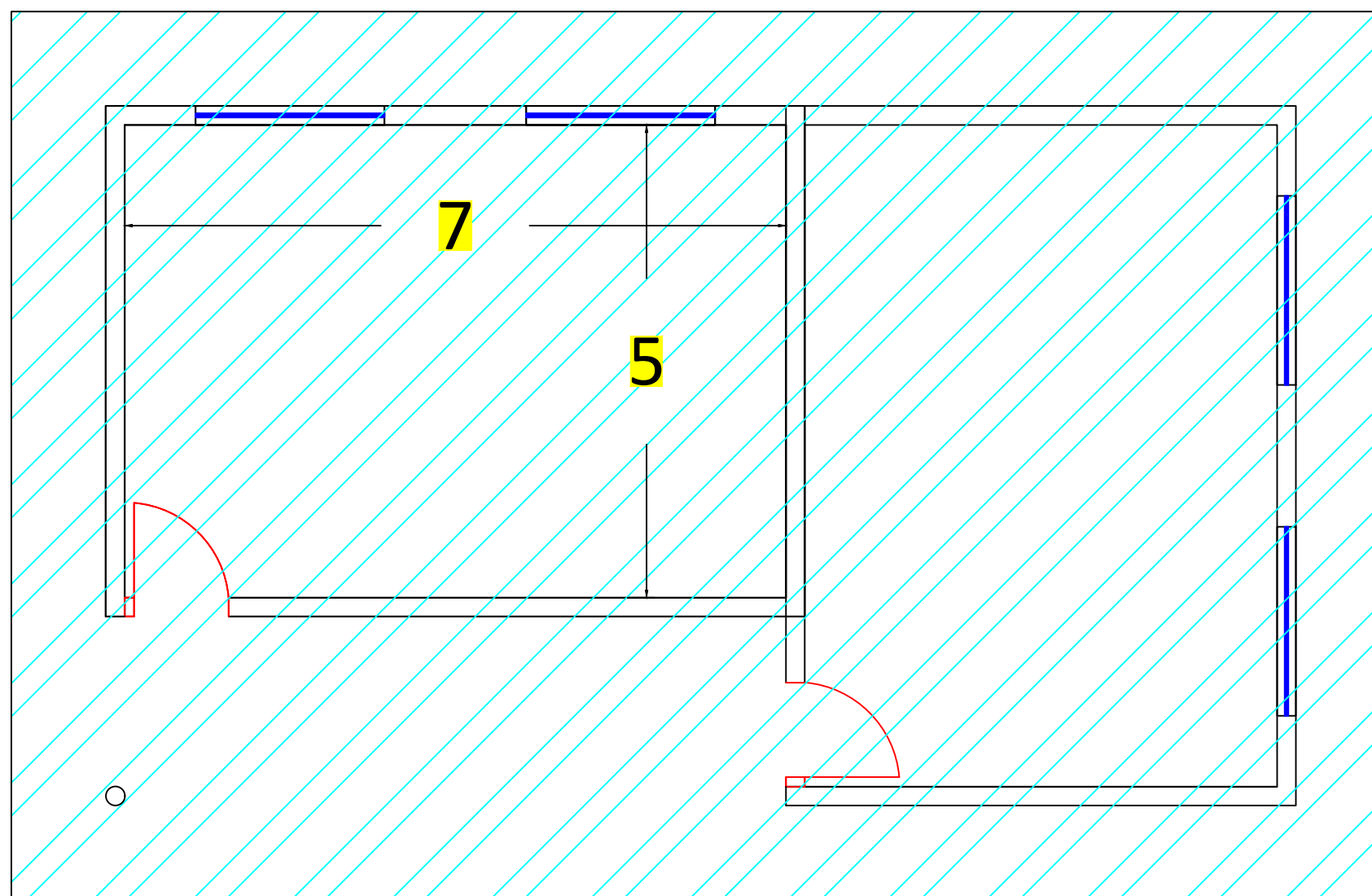
Raft Foundation Plan

**Sheet No.**

2

**Designed By**

UNHCR Technical Unit



9,4

14,6

**Project Name**

Construction of Two Class Rooms at Stayish Primary School in Bahrka

**Project Place**

Erbil Governorate

**Legend**

**Sheet Title**

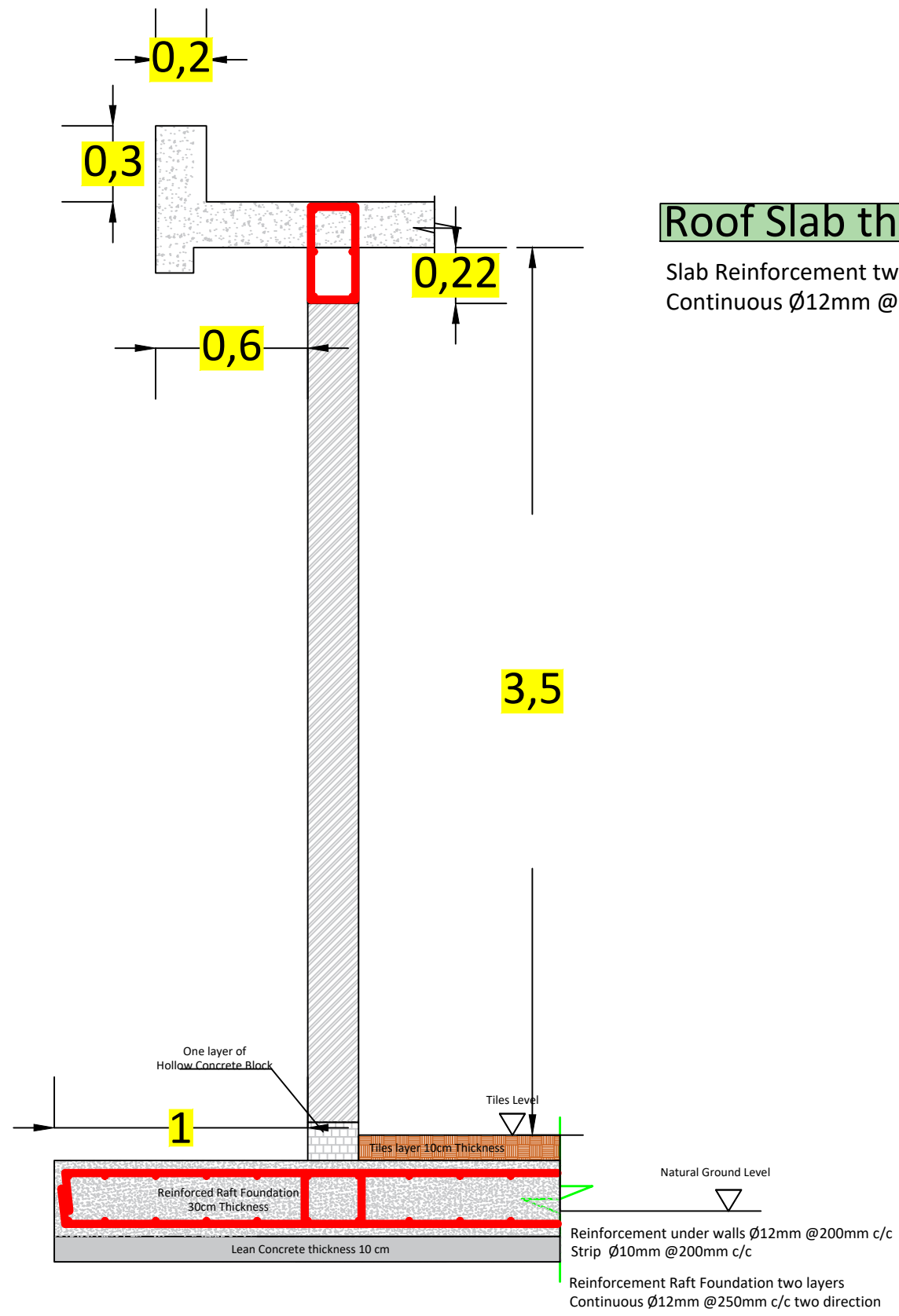
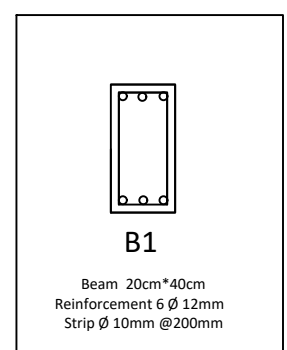
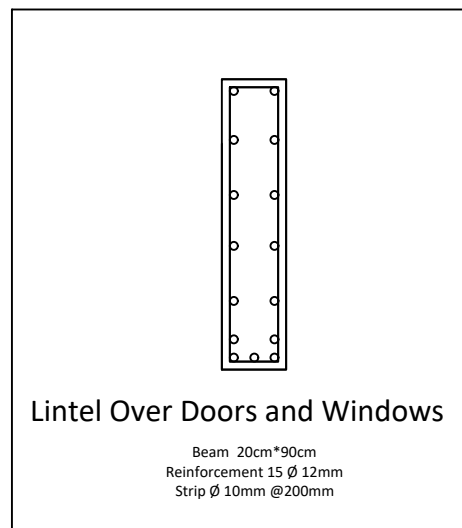
- Wall Section
- Raft Foundation Reinforcement
- Slab Reinforcement
- Beams Detail

**Sheet No.**

3

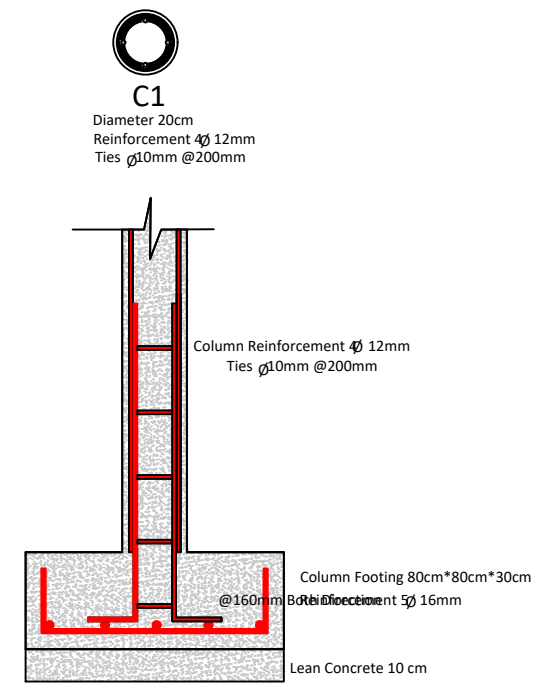
**Designed By**

UNHCR Technical Unit



**Roof Slab thickness 18cm**

Slab Reinforcement two layers  
Continuous Ø12mm @150mm c/c two direction



**Project Name**

Construction of Two Class Rooms at Stayish Primary School in Bahrka

**Project Place**

Erbil Governorate

**Legend**

**Sheet Title**

Finishing Details

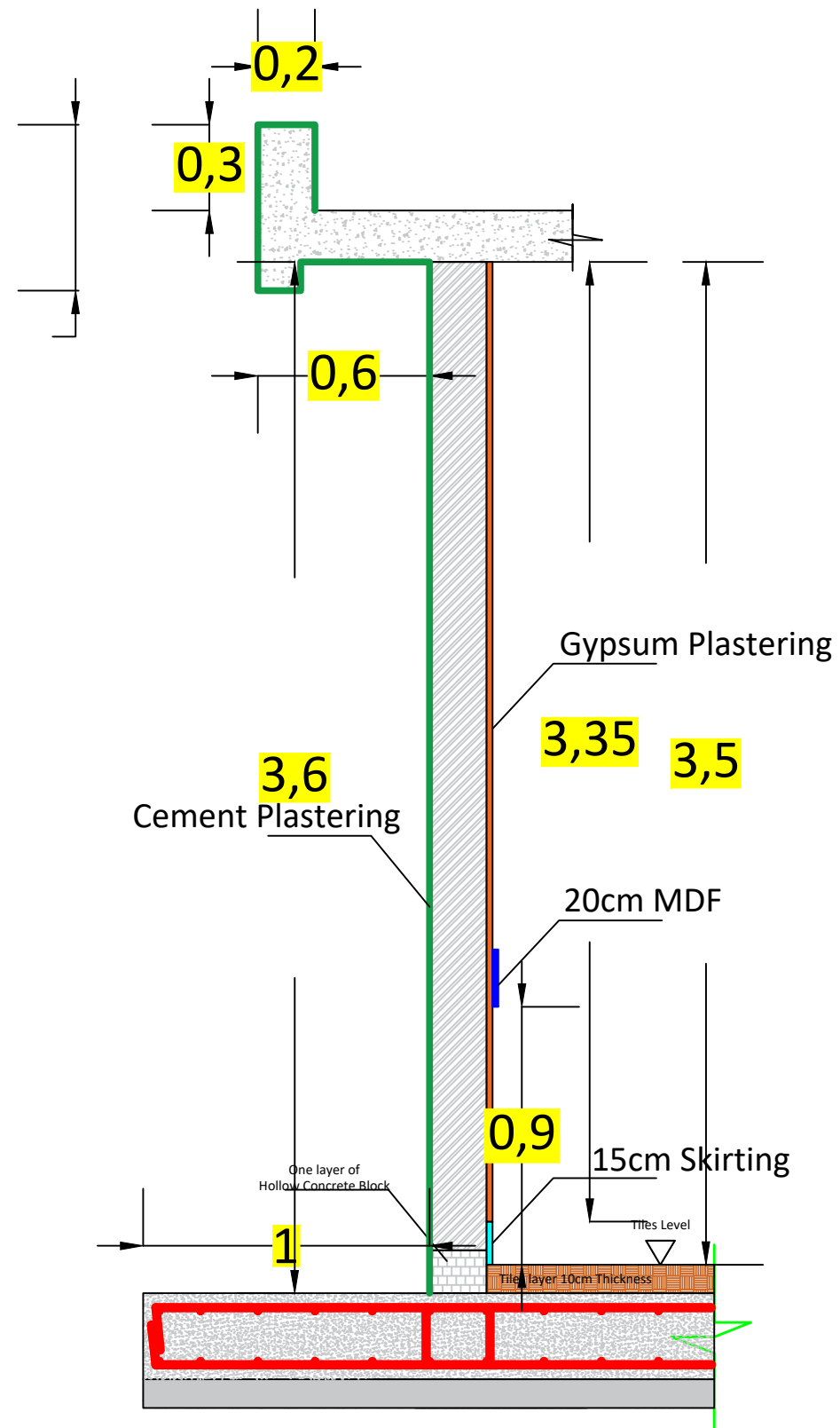
**Sheet No.**

4

**Designed By**

UNHCR Technical Unit

0,58



**Project Name**

Construction of Two Class Rooms at Stayish Primary School in Bahrka

**Project Place**

Erbil Governorate

**Legend**

**Sheet Title**

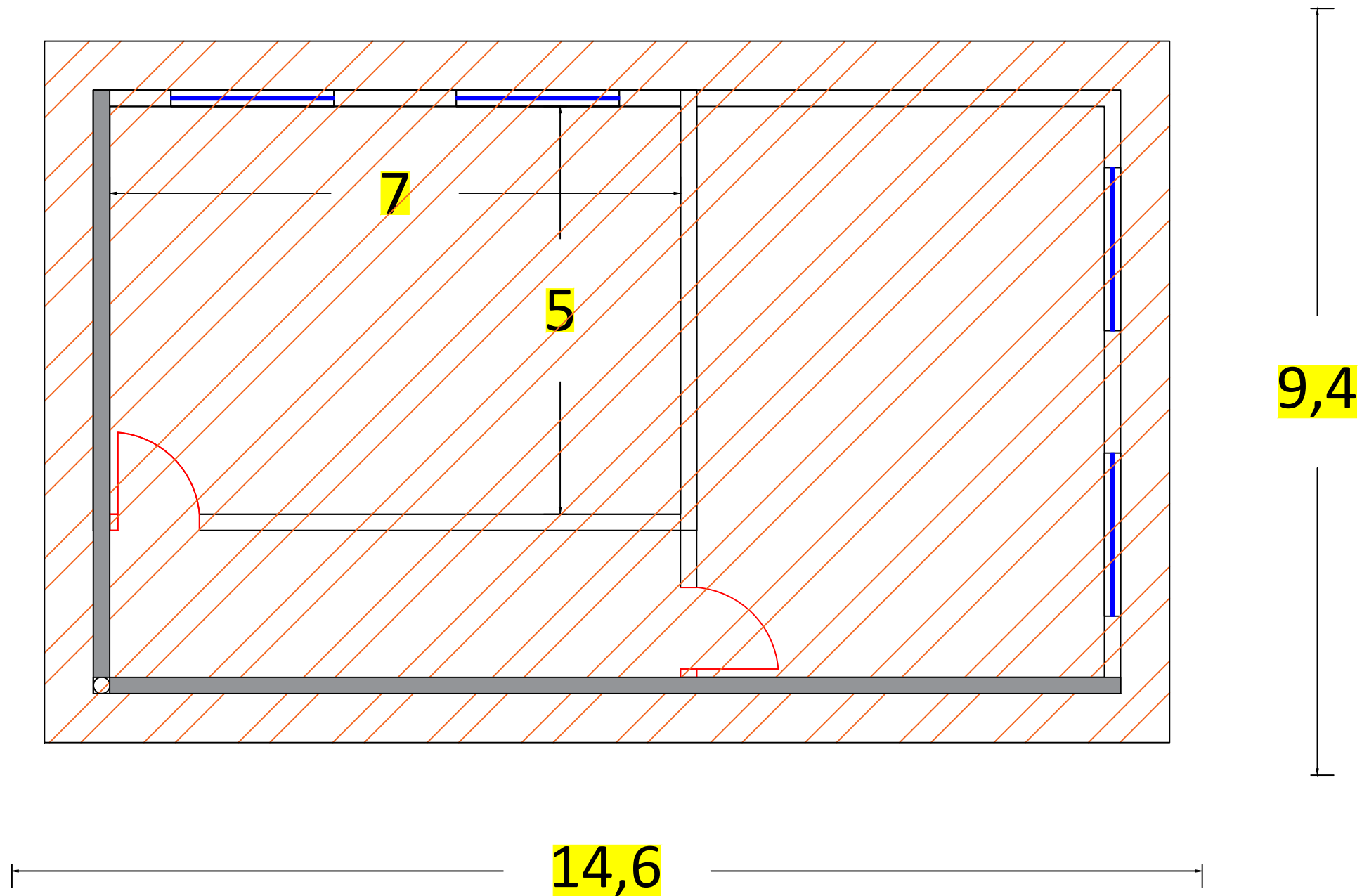
Slab and Beams Plan

**Sheet No.**

5

**Designed By**

UNHCR Technical Unit



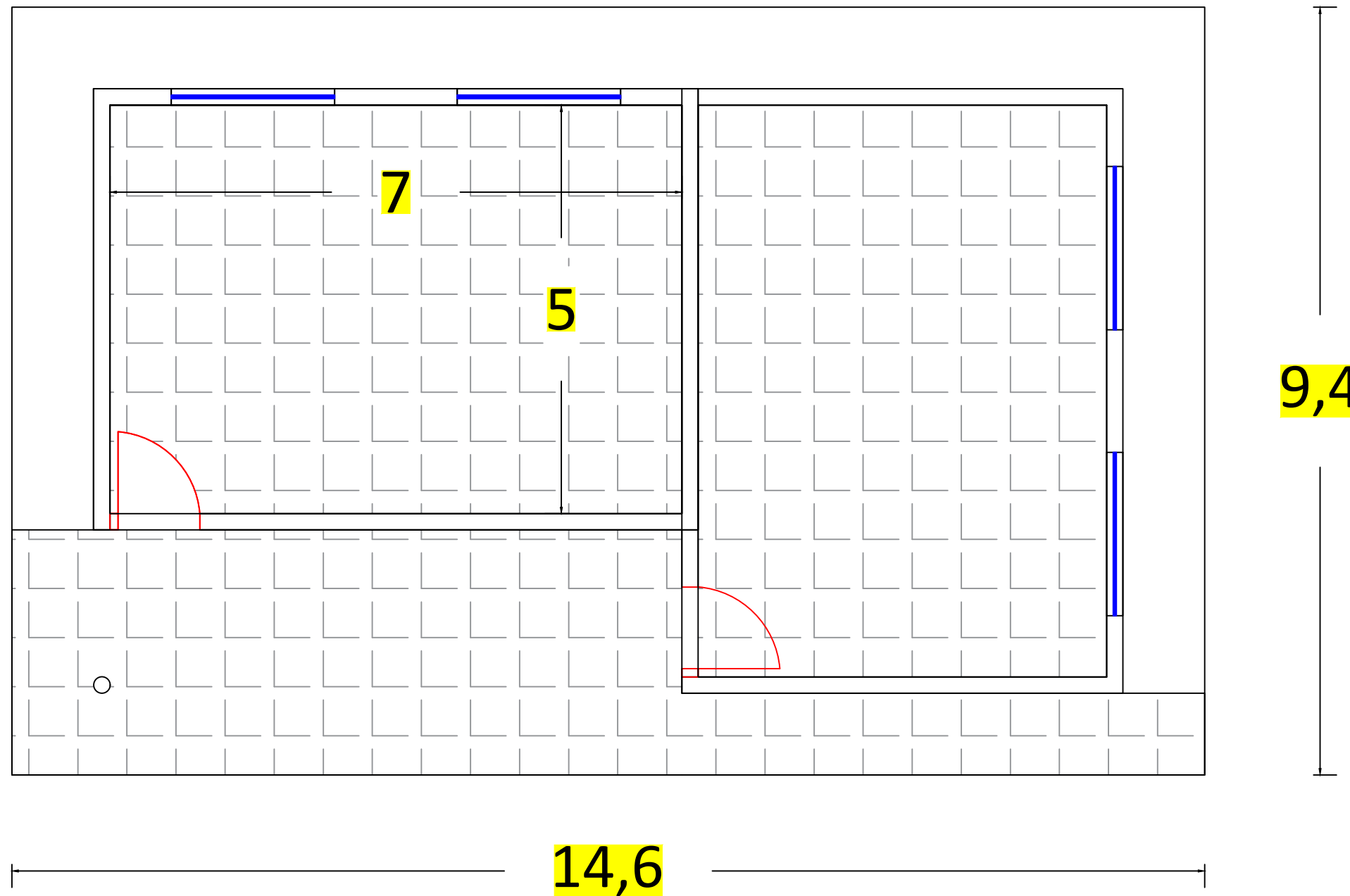
**Project Name**

Construction of Two Class Rooms at Stayish Primary School in Bahrka

**Project Place**

Erbil Governorate

**Legend**



**Sheet Title**

Porcelain Plan

**Sheet No.**

6

**Designed By**

UNHCR Technical Unit

**Project Name**

Construction of Two Class Rooms at Stayish Primary School in Bahrka

**Project Place**

Erbil Governorate

**Legend**

**Sheet Title**

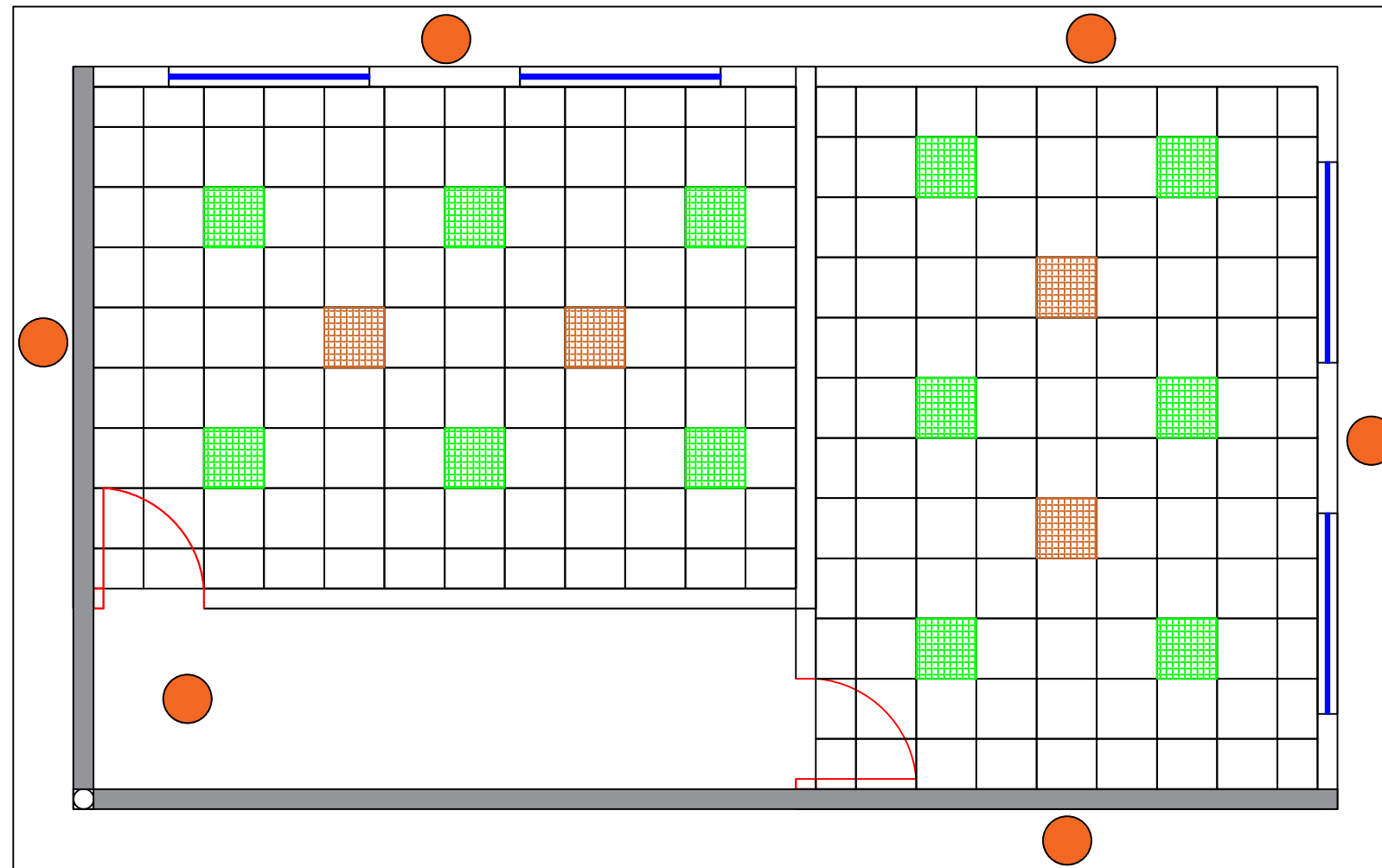
Slab and Beams Plan

**Sheet No.**

7

**Designed By**

UNHCR Technical Unit



 60x60 Lights

 Ceiling Fan

 18 watt (Outdoor LED) light

**Project Name**

Construction of Two Class Rooms at Stayish Primary School in Bahrka

**Project Place**

Erbil Governorate

**Legend**

**Sheet Title**

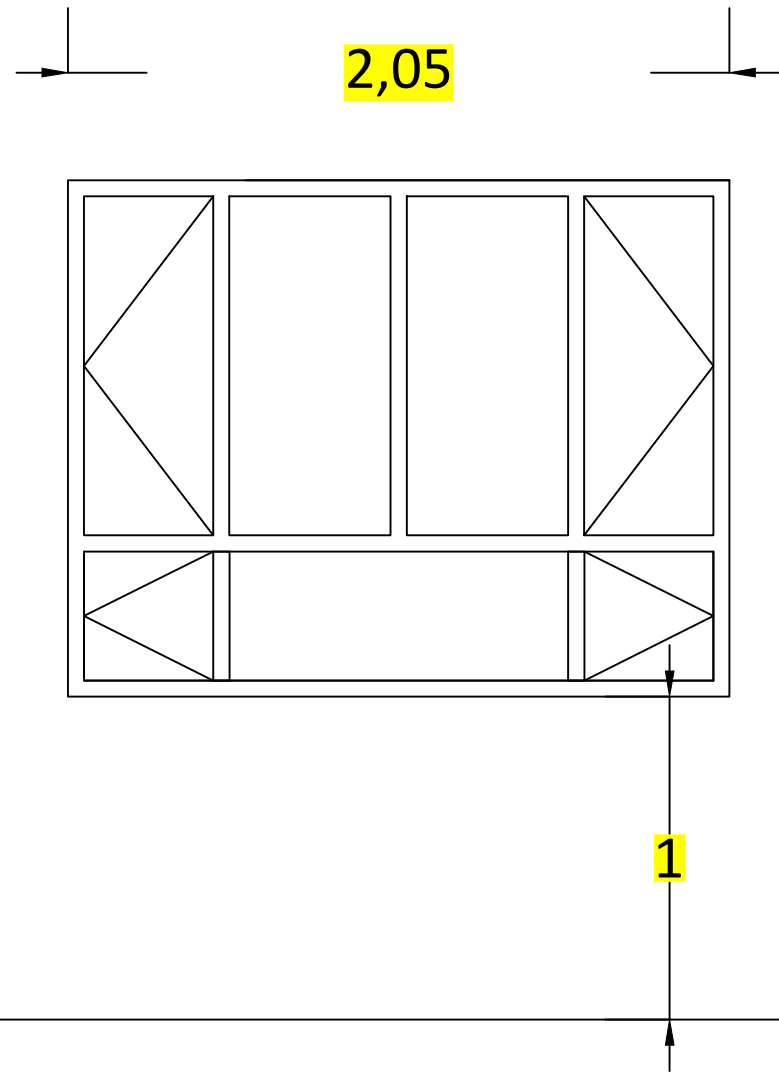
Doors and Windows Details

**Sheet No.**

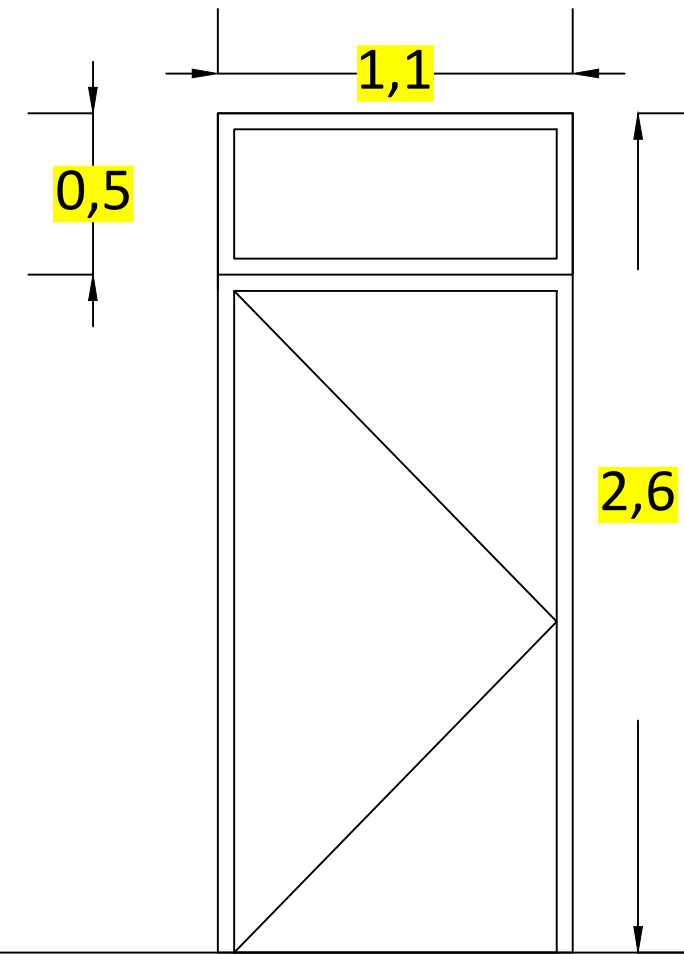
8

**Designed By**

UNHCR Technical Unit



**Aluminum Window**



**Classroom Door**



**Project Name**

Construction of Two Class Rooms at Stayish Primary School in Bahrka

**Project Place**

Erbil Governorate

**Legend**

**Sheet Title**

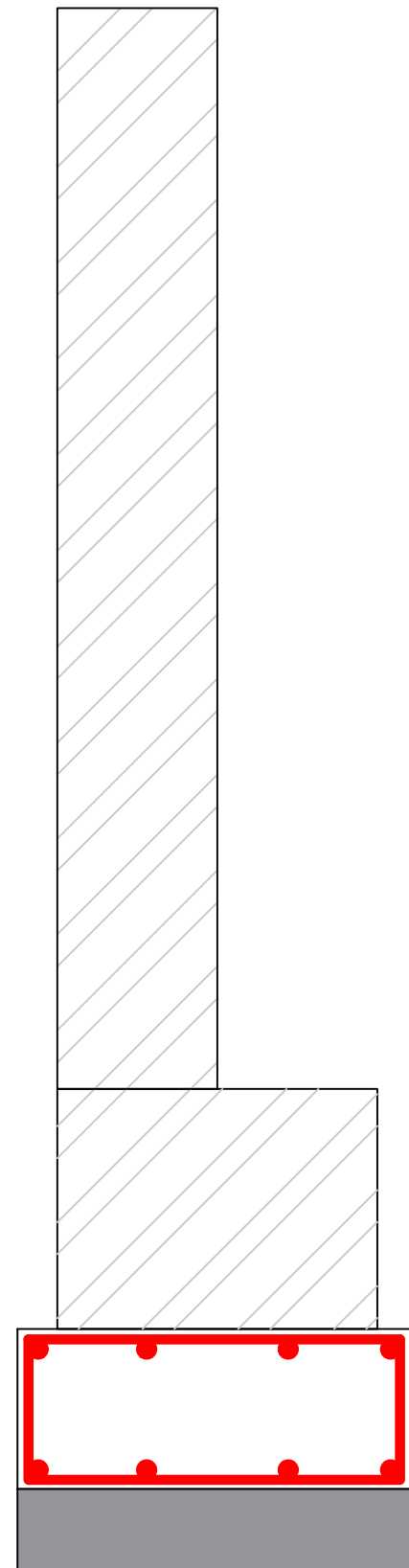
Fence Details

**Sheet No.**

9

**Designed By**

UNHCR Technical Unit



Wall Footing 20cmX50cm  
8 Ø12mm Strip Ø10mm @300mm c/c